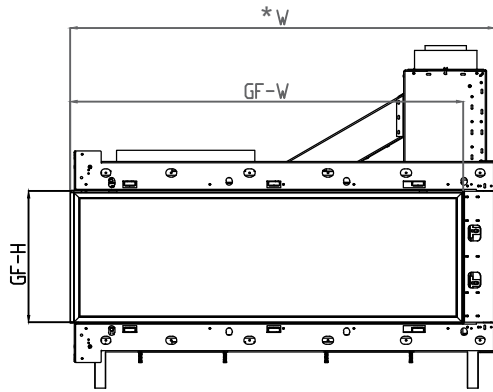
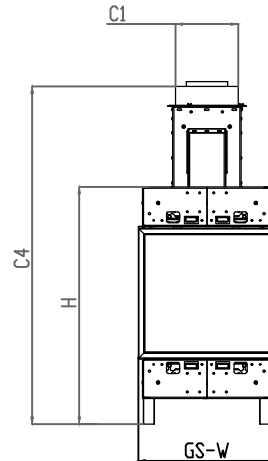


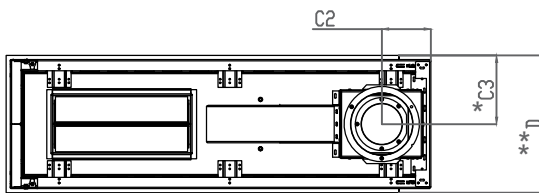
120 Peninsula Lyric - Flush



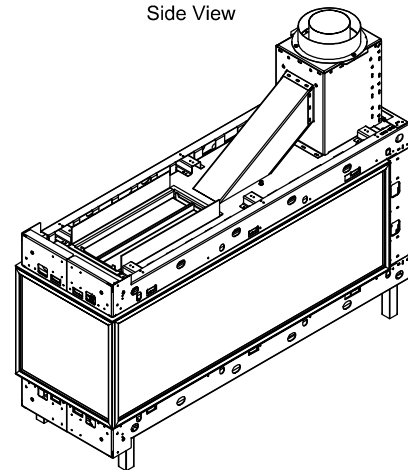
Front View



Side View



Top View



Model	(H) Height	(W) Width	(D) Depth	C1	C2	C3	C4	Glass Opening	
								(GF) Front	(GS) Side
120	29 13/16"	53 3/8"	17 1/4"	7 7/8"	6 3/16"	8 5/8"	42 7/16"	49 7/16" W X 16 11/16" H	16 1/4" W X 16 11/16" H

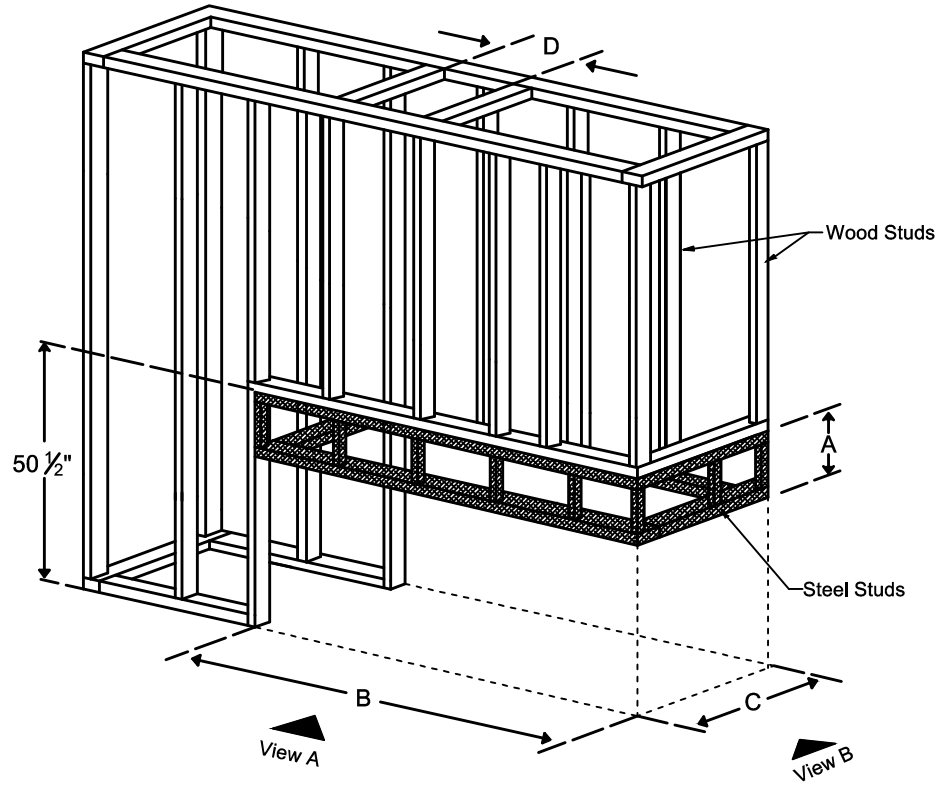
* Dimensions includes 1/2" lip (for drywall)

** Dimensions includes 2 X 1/2" lip (for drywall)

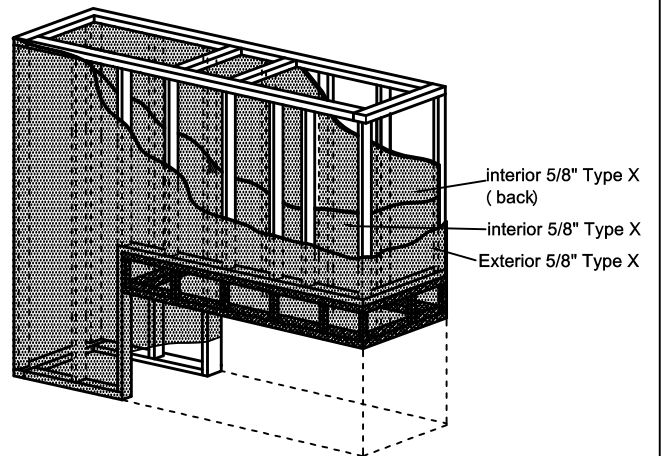
Note : 1. Drawings are not to Scale

2. All dimensions in inches

120 Peninsula Lyric - Flush

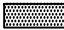

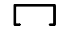


Model	A	B	C	D
120	19 ¹³ / ₁₆ "	55 ¹ / ₂ "	16 ¹ / ₄ "	10"

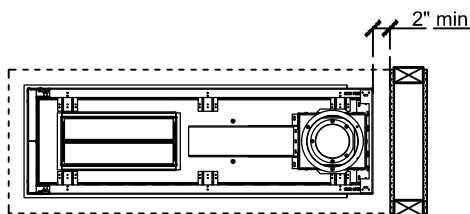
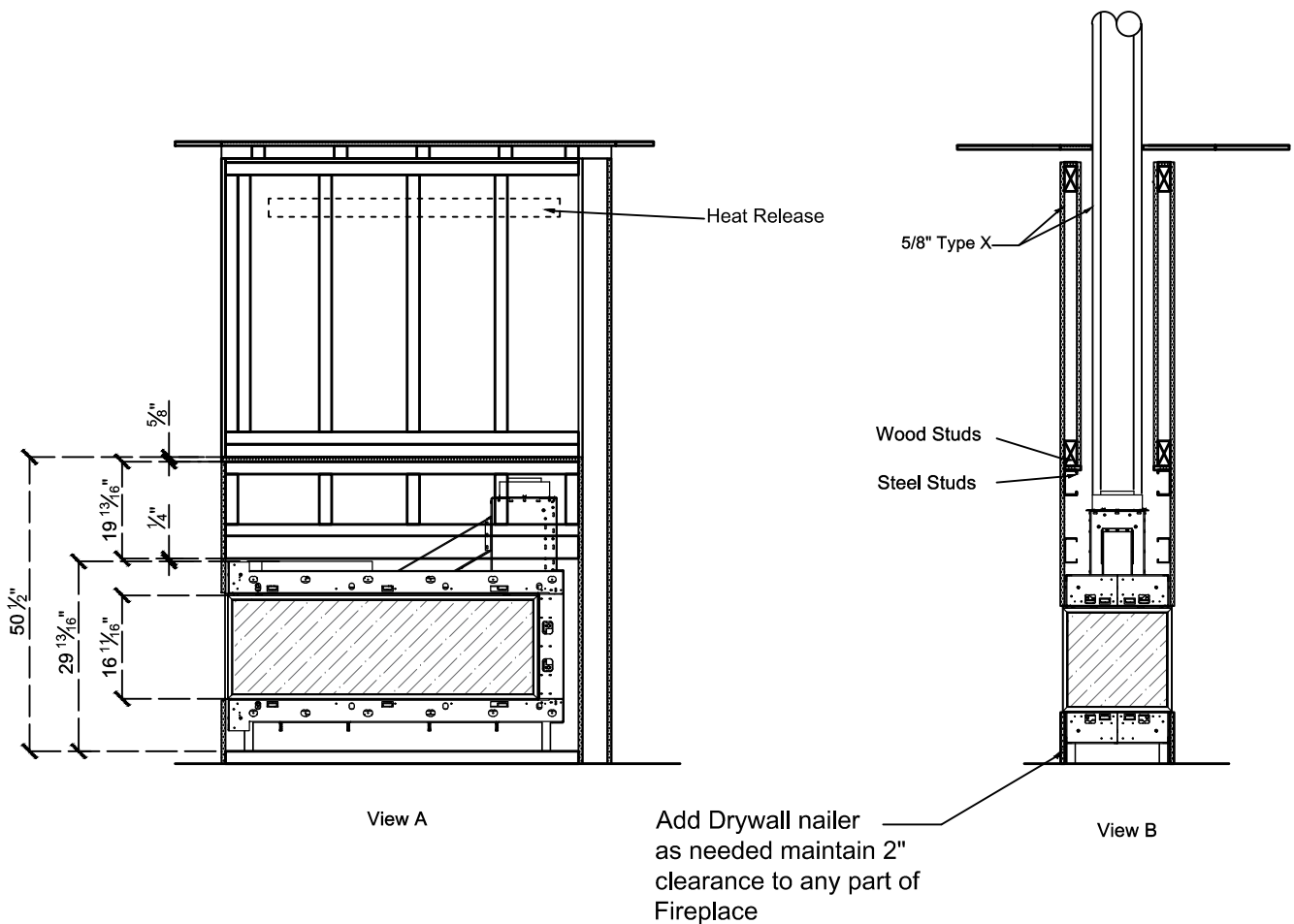


Note : 1. Drawings are not to Scale
2. All dimensions in inches

LEGEND

	5/8" Type X		Steel		Wood
	Glass		Wood Studs		Steel Studs

120 Peninsula Lyric - Flush



Top View

Note : 1. Drawings are not to Scale
2. All dimensions in inches

Additional supports or cross bracing may be needed to support the framing. No weight can be transferred to the fireplace. ALL FRAMING MUST BE SELF SUPPORTED.

Clearance 2" from each side to non combustible material

The valve can be moved 36" - 40" from the center of the fireplace in any direction