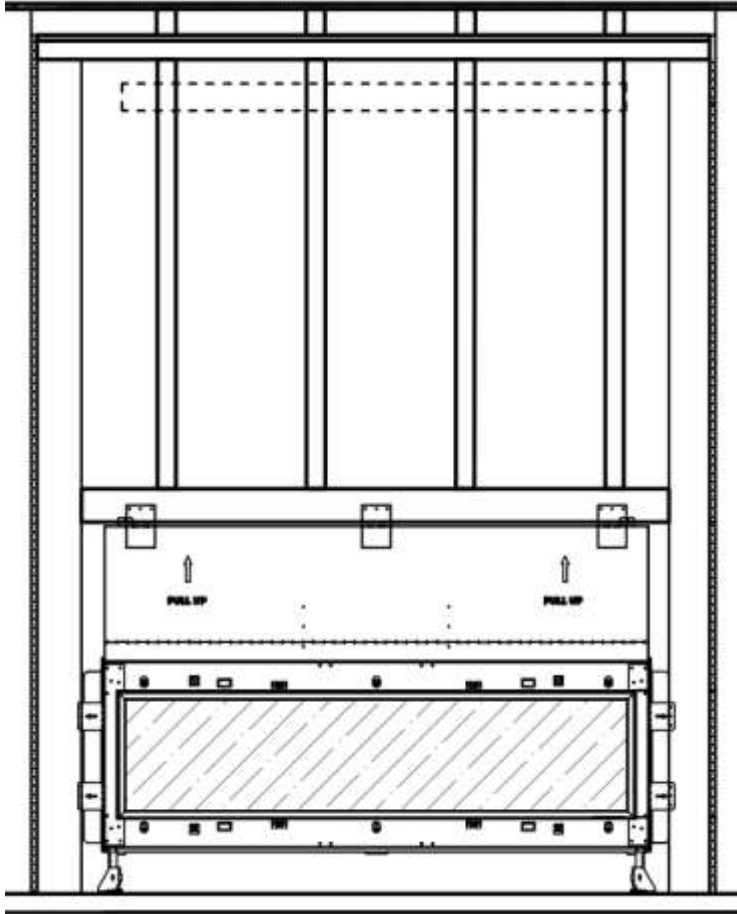




Installation and Operation Manual

-Built-in Models-



Manufacturer Update – Installation Manual

Manufacturer Effective Date: April 24th, 2019

Serial Number 19473 and forward

▲ WARNING:
FIRE OR EXPLOSION HAZARD
Failure to follow safety warnings exactly could result in serious injury, death, or property damage.

- **DO NOT** store or use gasoline or other flammable vapors and liquids in the vicinity of this or any other appliance.
- **What to do if you smell gas**
 - **DO NOT** try to light any appliance.
 - **DO NOT** touch any electrical switch. **DO NOT** use any phone in your building.
 - Leave the building immediately.
 - Immediately call your gas supplier from a neighbor's phone. Follow the gas supplier's instructions.
 - If you cannot reach your gas supplier, call the fire department.
- Installation and service must be performed by a qualified installer, service agency, or the gas supplier.

Built-in Models:

Front Facing Series
Corner (RS/LS) Series
See Through Series
Three Sided Series

! DANGER



HOT GLASS WILL CAUSE BURNS.

DO NOT TOUCH GLASS UNTIL COOLED.

NEVER ALLOW CHILDREN TO TOUCH GLASS.

A barrier designed to reduce the risk of burns from the hot viewing glass is provided with this appliance and shall be installed for the protection of children and other at-risk individuals.

Fireplace Safety Information and Warnings

This section provides safety guidelines and instructions. It is important to **SAVE THESE INSTRUCTIONS** and to make yourself fully aware of all the safety protocols and features of the Lyric direct vent gas fireplace. ALL warnings and instructions below apply to all products manufactured and distributed by the manufacturer.



WARNING – HEAT BARRIER

A screen heat barrier designed to reduce the risk of burns from hot viewing glass is provided with this fireplace and shall be installed.

Fireplace must NOT be used without the screen in place.

If the screen becomes damaged, a replacement screen must be obtained from the manufacturer through a manufacturer-approved fireplace dealer/installer.

If the screen is removed for servicing, it must be replaced prior to operating the fireplace. Screen can only be removed and replaced by a manufacturer-approved fireplace dealer/installer.



WARNING – FIREPLACE TEMPERATURE

Due to hot temperatures, the fireplace should be located out of traffic and away from furniture and draperies.

Children and adults should be alerted to the hazards of high surface temperature and should stay away to avoid burns or clothing ignition.

Clothing or other flammable material should not be placed on or near the fireplace.

Young children should be carefully supervised when they are in the same room as the fireplace.

Toddlers, young children and others may be susceptible to accidental contact burns. A physical barrier is recommended if there are at-risk individuals in the house. To restrict access to a fireplace or stove, install an adjustable safety gate to keep toddlers, young children and other at-risk individuals out of the room and away from hot surfaces.



WARNING – GLASS HANDLING

The glass must ONLY be removed by an authorized and/or qualified installer. The authorized technician should ONLY remove the glass with the suction cups supplied or approved by the manufacturer. To prevent damage to the glass edges, lower the glass to rest in a safe place.

Follow these guidelines for glass handling:

Step 1: Prepare a safe place for the glass to rest.

Step 2: Remove the glass using the suction cup.

Step 3: The glass can now be rested safely.



WARNING – INSTALLATION AND OPERATION

The direct vent system fireplace must be installed as an OEM installation in manufactured homes (USA only) or an aftermarket permanently located, or a mobile home, where not prohibited by local codes.

The fireplace must be installed in accordance with the manufacturer's instructions and the Manufactured Home Construction and Safety Standard, Title 24 CFR, Part 3280, in the United States, or the Standard for Installation in Mobile Homes, CAN/CSA Z240 MH Series, in Canada.

If the information in these instructions are not followed exactly, a fire or explosion may result, causing property damage, personal injury or loss of life. Do not store or use gasoline or other flammable vapors and liquids near this fireplace.

 **WARNING – INSTALLATION AND SERVICE**

Installation and repairs must be done by an authorized, qualified dealer/installer (and gas supplier if necessary). The fireplace should be inspected before use and at least annually by a professional service person. More frequent cleaning may be required due to excessive lint from carpeting, bedding material, etc. It is imperative that control compartments, burners and circulating air passageways of the fireplace be kept clean.

Any alteration to the product can cause soot or carbon to form and may result in damage. This damage and any other damage that results from not following the instructions outlined in this manual is not the responsibility of the manufacturer. Installation and/or service performed by any party other than an authorized dealer/installer is potentially subject to a fire hazard and invalidation of the manufacturer's warranty.

 **WARNING – ELECTRICAL GROUNDING**

These direct vent fireplaces must be electrically grounded in accordance with the local codes or, in the absence of local codes, with National Electric code, ANSI/NFPA 70, or the Canadian Electric Code, CSA C22.1.

 **WARNING – GAS FIREPLACE**

This fireplace is for use only with the type of gas indicated on the rating plate. These fireplaces are not convertible for use with other gases unless a manufacturer-certified kit is used, and the conversion is performed by an authorized and qualified technician.

Applicable standards are Vented Gas Fireplace Heaters ANSI Z21.88 / CSA 2.33a and Gas-fired Fireplaces for Use at High Altitudes CAN/CGA 2.17-M91.

Table of Contents

Fireplace Safety Information and Warnings	2
Certifications and Codes	7
Product List: Built-In Lyric Models and Burners.....	8
General Building Requirements.....	8
“Zero-Clearance” Requirements.....	8
Non-combustible Material Definition	9
Heat Release	9
Heat Release: Reveal and Gap.....	10
Heat Release: Ventilation Grill (Louver)	11
Vertical Heat Release Designs	12
Sprinkler Clearance to Heat Release	14
Chase Area Minimums	14
Fireplace Legs.....	14
Floor/Platform	14
Securing the Fireplace.....	15
Access Panel.....	15
Framing Requirements	16
5/8” Type X Drywall Requirements.....	16
Wood Framing	17
Metal Framing	17
Framing Diagrams	18
Front (F) Series Framing Diagram.....	18
Corner (RS/LS) Series Framing Diagram	19
See Through (ST) Framing Diagram	20
Three Side (TS) Framing Diagram	21
Clearance & Finish Diagrams	22
General Clearance Requirements	22
Clearance to Furniture & Other Combustibles	23
Inside Corner Clearances.....	23
Television/Art Installation Information & Diagrams	24
TV and Art Mounting Requirements	24
Finish Diagrams	27
Non-Combustible (Stone) Finish – Flush Application	27
Brick Veneer Finish – Flush Application.....	29
Brick Veneer Finish – Recessed Application	30
Combustible (Wood) Finish - Flush.....	31
Combustible (Wood) Finish - Recessed	32
Wood Hearth Extension	33
Mantel Diagrams.....	34
Mantel Detail - Recess and Flush Application	34

Diagram for Structural Weight Support	35
Structural Weight Support – Flush Application	35
Structural Weight Support – Recessed Application.....	36
Gas Requirements and Setup	37
Routing the Gas Line	37
Gas Pressure and Heat Input Charts	38
High Altitude Gas Requirement	38
Gas Control Assemblies and Components	39
Gas Conversion	39
Pilot Inspection	40
Pilot Maintenance.....	40
Thermocouple Maintenance.....	40
Electrical Guidelines	41
Electrical Requirements	41
Batteries	41
Electrical Outlet.....	41
TV/Electronics Electrical Wires.....	41
Wiring Diagrams.....	42
Lyric Fireplace.....	42
Lyric Fireplace with Lights	43
Lyric Fireplace with ORTAL Power Vent	44
Lyric Fireplace with ORTAL Power Vent and Lights	45
Lyric Fireplace Energex Power Vent	46
Smart Home System Wiring Information	48
Vent System Information.....	49
General Pipe Requirements & Certified Pipe Manufacturers	49
Venting Installation and Clearances	49
Vent Pipe Clearances.....	50
Venting Diagrams.....	50
Offset (bends/elbows) Maximums	50
Horizontal Termination Venting Run Diagram	51
Vertical Termination Venting Run Diagram.....	52
Vertical Termination Venting Run Diagram – Straight Vertical.....	53
Vent Restrictor Sizing Guidelines	53
Fireplace Restrictors and Vent Arrangement.....	55
Restrictor Table: Series 90 (Burner 70)	56
Restrictor Table: Series 110/120 (Burner 100).....	56
Restrictor Table: Series 140 (Burner 120)	56
Horizontal Termination Clearance Diagrams	57
Vertical Termination Clearance Diagrams	58
Chimney Shroud Detail	59
Vent Maintenance	60

Fireplace Chase (Cavity) Construction	60
Cavity (Chase) Construction Notes.....	61
Fireplace Installation Instructions	62
Selecting a Location	62
Installation Sequence.....	62
First Trip to Site: Planning Phase	62
Second Trip to Site: Installation Phase	63
Third Trip to Site: Startup Phase	63
Working with Glass Panels	64
Remote Control Setup and Operation	65
Remote Control Radio Frequency	65
Pairing Remote to Receiver (Setting the Electronics Code)	66
Battery Requirements	66
Operating Instructions	67
Interior Design Media	68
Media Placement Guidelines	68
Cold Climate Insulation.....	69
Post-installation Procedures.....	69
Operating Warnings.....	70
Maintenance Instructions.....	70
Warranty Policy	72
Sample Product Certification Labels.....	75

Certifications and Codes

Lyric direct vent gas fireplaces have been tested and approved by CSA Group for safety and efficiency for use with either Natural Gas (NG) or Propane (LP), and **NOT** for use with solid fuels.

Certification Code (U.S. & Canada):

ANSI Z21.88/CSA 2.33 – 2018 for Vented Gas Fireplace Heaters



Products:

CLASS 2901 84 – DOMESTIC HEATERS (GAS) Vented Fireplace – Certified to US Standard

CLASS 2901 04 – DOMESTIC HEATERS (GAS) Vented Fireplace

CSA Group is approved by the American National Standards Institute (ANSI) as an Accredited Standards Developer.

All Lyric fireplaces are CSA certified for indoor use **only**. Lyric fireplaces are not approved for outdoor installation. Fireplaces must be installed while maintaining required clearances as outlined in this manual as applicable. Installation is recommended in living spaces such as bedrooms, living rooms, great rooms, etc. The fireplaces are not approved for closet installation.

The fireplace must be installed according to Lyric requirements in addition to any local codes that may apply, such as:

- USA: ANSI Z223.1/NFPA 54
- Canada: CSA B149

In addition:

- Consult the authority having jurisdiction to determine the need for a permit **PRIOR** to starting the installation.
- The fireplace *must* be purchased from and installed by a fireplace dealer that has been authorized by the manufacturer.
- It is the responsibility of an authorized Lyric dealer and installer to ensure that this fireplace is installed in compliance with the manufacturer's instructions and all the applicable codes.
- Before starting, take careful note of **ALL** the **WARNINGS** in this manual.

Product List: Built-In Lyric Models and Burners

This manual applies to the Lyric models mentioned in the following table. This table also lists basic burner and vent pipe specifications for each Lyric model.

Burner Sizes: Vented Gas Fireplace Heaters

Series	Burner	Models	Vent Pipe Size
90 90H	70	Clear 90 F/RS/LS/TS Clear 90H F	5x8 co-axial direct vent pipe
110	100	Clear 110 F/RS/LS/TS/ST	5x8 co-axial direct vent pipe
140	135	Clear 140 F	5x8 co-axial direct vent pipe

Please note that the manufacturer does not supply vent pipe. Only the body of the fireplace and items contained therein are provided by the manufacturer. Lyric products are certified to be used with and can be obtained from the following direct vent pipe manufacturers:

[Olympia: "Ventis" line](#)

[DuraVent: "Direct Vent Pro" line](#)

[ICC: "EXCELDirect" line](#)

[BDM: "Pro-Form Direct Vent System" line](#)

[Selkirk: "Direct-Temp System" line](#)

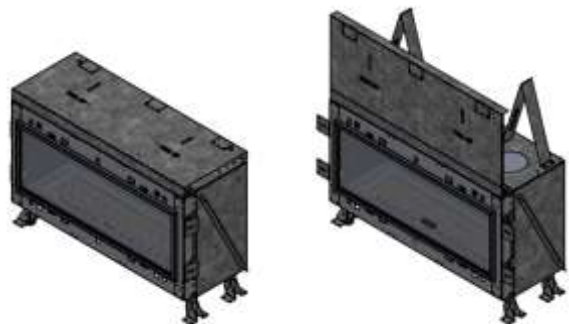
Also note that if you require a power vent, the vent pipe type will change. Please see section titled, "General Pipe Requirements & Certified Pipe Manufacturers" for details.

General Building Requirements

This section provides information, diagrams and recommendations related to building requirements for Lyric fireplaces.

"Zero-Clearance" Requirements

The Lyric fireplaces mentioned in this manual have a "zero clearance" fireplace, meaning you can build with combustible material right up to the metal "zero-clearance" stand-offs on the fireplace. For transportation purposes, the fireplace will arrive to the jobsite with metal stand-offs flat against the fireplace. All stand-offs on the fireplace must be fully extended upon installation and remain extended after installation. This ensures the safety and proper functioning of the fireplace. Should you choose to



ignore this requirement, the warranty of the Lyric product will automatically void. The only exception to this requirement applies to TV/artwork installation. Should you put a TV or artwork at the allowable 12" minimum above the fireplace viewing area, the front stand-off must be removed for this purpose *only*. Please see TV/Artwork mounting requirements section for more details.

Surrounding material is not allowed to transfer weight to the fireplace or be connected in any way to the fireplace, with the exception of 5/8 Type X drywall (or its equivalent) in a flush installation. It may be fastened to the frame with 1" self-tapping drywall screws 16" on center, with a minimum of 2 ½" from the metal lip. It must not transfer weight to the fireplace. No material is permitted to extend past the ½" metal lip surrounding the glass viewing area. This area must be unobstructed so the screen heat barrier and inside glass panel remain removable.

Non-combustible Material Definition

"Non-combustible material" is defined as material which will not ignite and burn. Such materials are those consisting entirely of steel, iron, brick, tile, concrete, slate, glass or plasters, or any combination thereof. Materials that are reported as passing ASTM E 136, Standard Test Method for Behavior of Materials in a Vertical Tube Furnace at 750 °C shall be considered non-combustible materials. An exception is made only for fire rated 5/8" Type X drywall UL authorized or equivalent. For the purposes outlined in this manual, 5/8" Type X drywall may be used as a non-combustible material. Fireplace-specific construction boards such as [Promafour](#) made by Promat are approved for use for added heat protection in place of 5/8" Type X drywall. This is not a requirement. The use of these materials does not reduce any of the listed clearances.

These materials are not being used for fire protection. They are used for high K and R value. Do not use cement boards containing EPS beads.

Heat Release

A heat release is **required** for Lyric models listed in this manual. This allows for heat within the chase (the cavity the fireplace is built in) to be released back into the living space, helping to keep the fireplace wall cool. It must be located at the top of the fireplace chase and be placed **within** 6 inches (0-6") of the fireplace chase ceiling (aka draft stop). It can be located on the front, sides or back of the fireplace chase, as long as it is being released into an interior space. The heat release cannot be vented outdoors as this would expose the fireplace to outdoor elements and compromise the building envelope. A minimum air space is required per series:

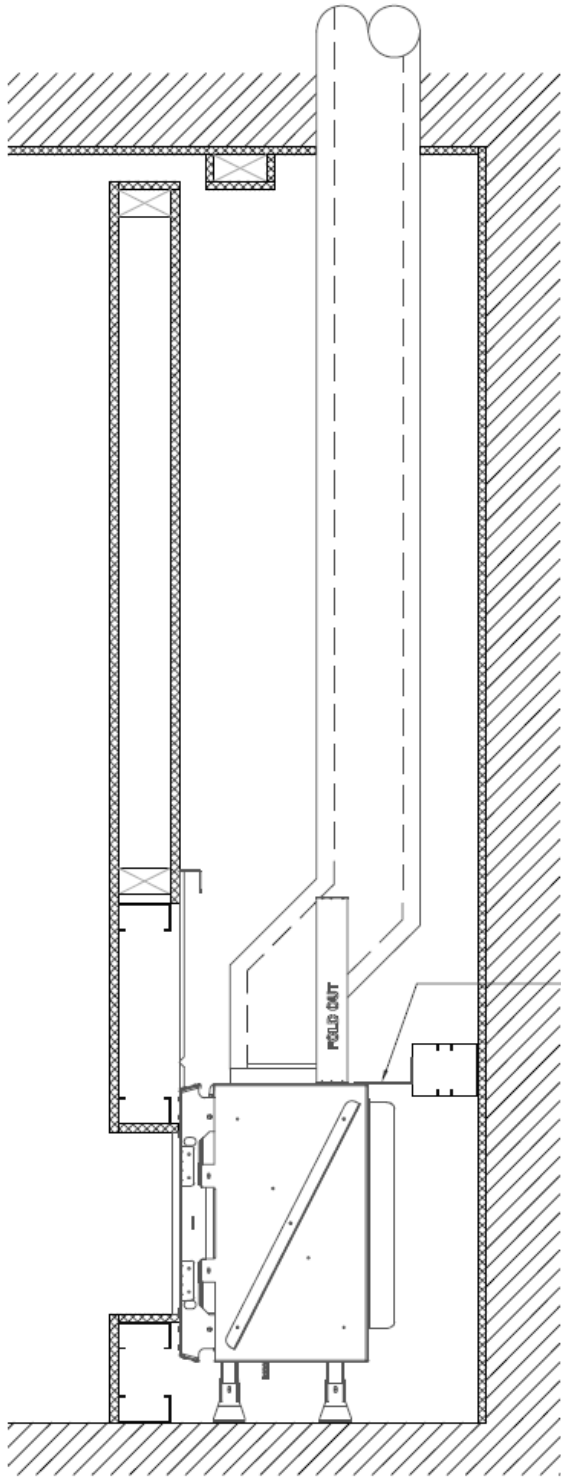
Series 90-110: Minimum 124 sq. in. of free air space

Series 140: Minimum 200 sq. in. of free air space

These air space values are the minimum required; they can always be increased. The heat release can be in the form of (but not limited to) a ventilation grill (louver), gap, or reveal. If using a grill, make sure that the net free air space allowed in the louvered area is equal or greater than the minimum number of square inches required per fireplace (as listed above).

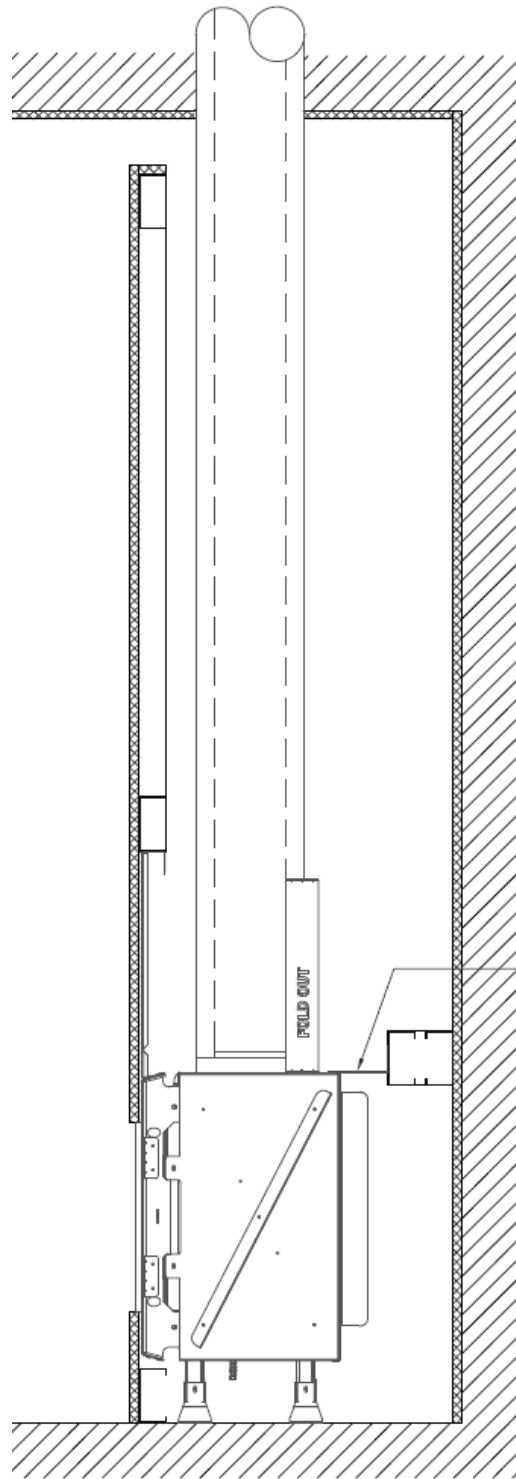
The interior area of the fireplace cavity (in square inches) can never be less than your required heat release size. The area of the fireplace cavity is determined by multiplying the cavity width by the cavity depth. See section titled, "Chase Area Minimums" for details.

Heat Release: Reveal and Gap



Seismic Bracket

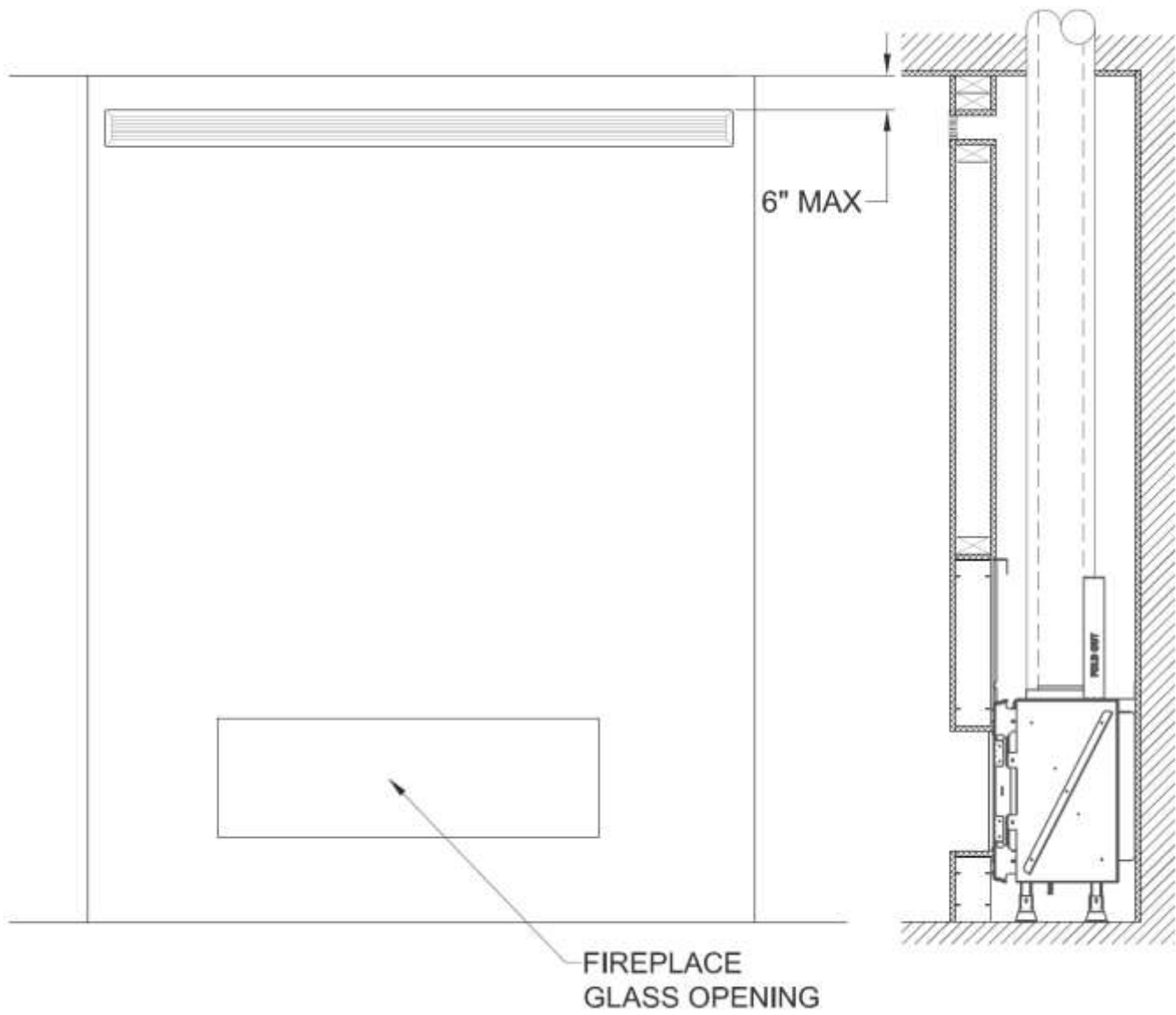
Heat Release – Reveal, Recessed (Section)



Seismic Bracket

Heat Release – Gap, Flush (Section)

Heat Release: Ventilation Grill (Louver)



Heat Release – Louver, Recessed (Front Elevation)

Heat Release – Louver, Recessed (Section)

Vertical Heat Release Designs

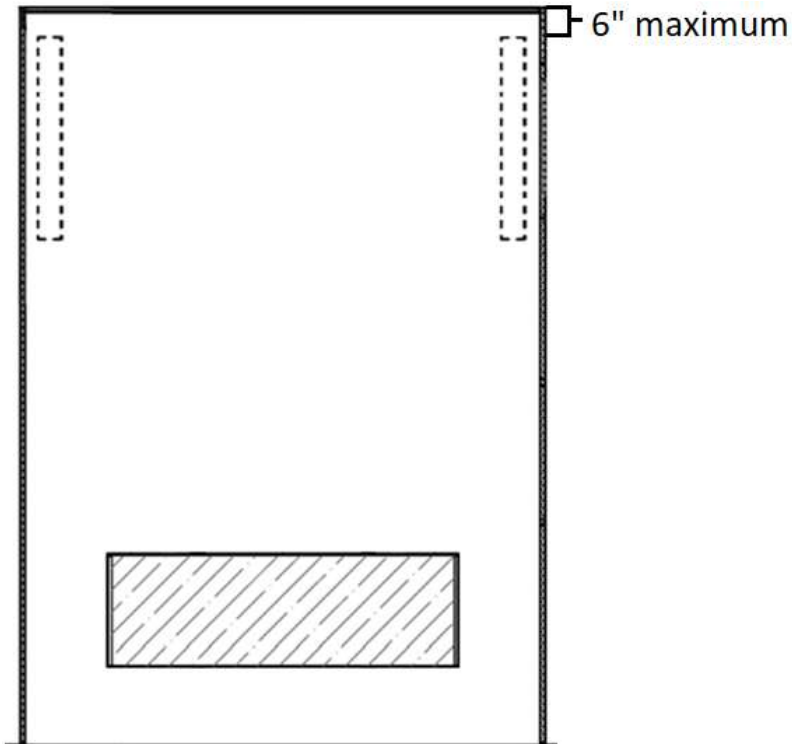
If your design cannot accommodate a horizontal heat release, a vertical heat release is acceptable. Because heat rises, it will take longer for the heat to dissipate out of a vertically oriented heat release. To compensate, a vertical heat release must be 30% larger than a horizontal heat release.

Series 40-110: Minimum 160 sq. in. of free air space for a vertical heat release

Series 140: Minimum 260 sq. in. of free air space for a vertical heat release

The heat release needs to **start *within* 6 inches (0-6")** of the ceiling. The vertical heat release can be applied using (but is not limited to) the following methods:

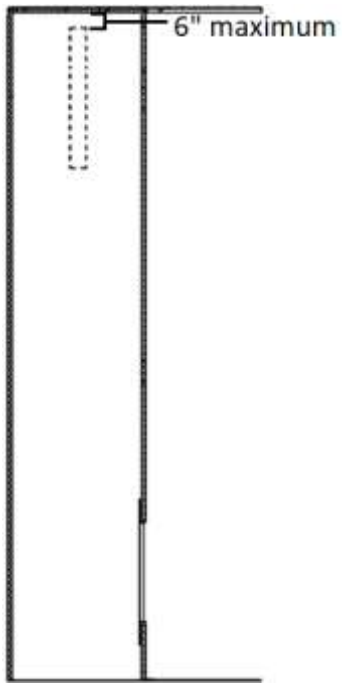
Front Split Vertical Heat Release



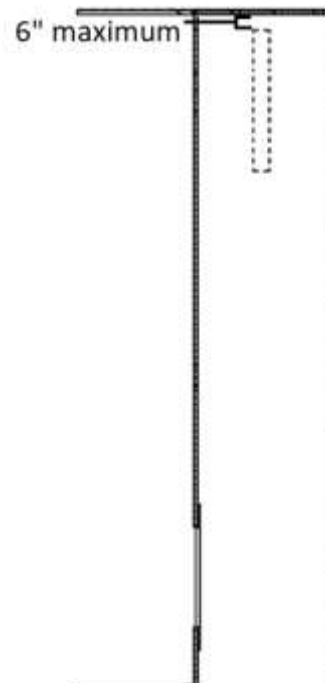
Front Split Vertical Heat Release (Front Elevation)

Split Side Vertical Heat Release

Each half of the vertical heat release is put on each side of the fireplace cavity.



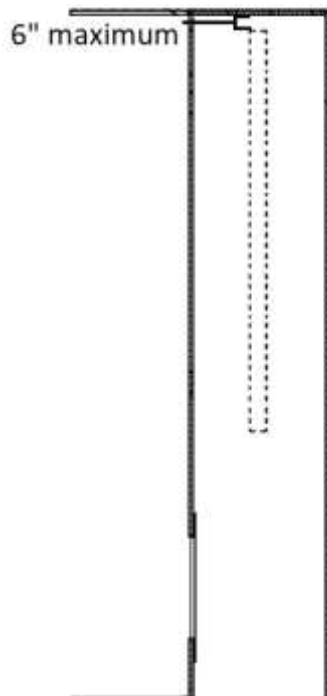
Left Side Vertical Heat Release (Side Elevation)



Right Side Vertical Heat Release (Side Elevation)

Full Side Vertical Heat Release

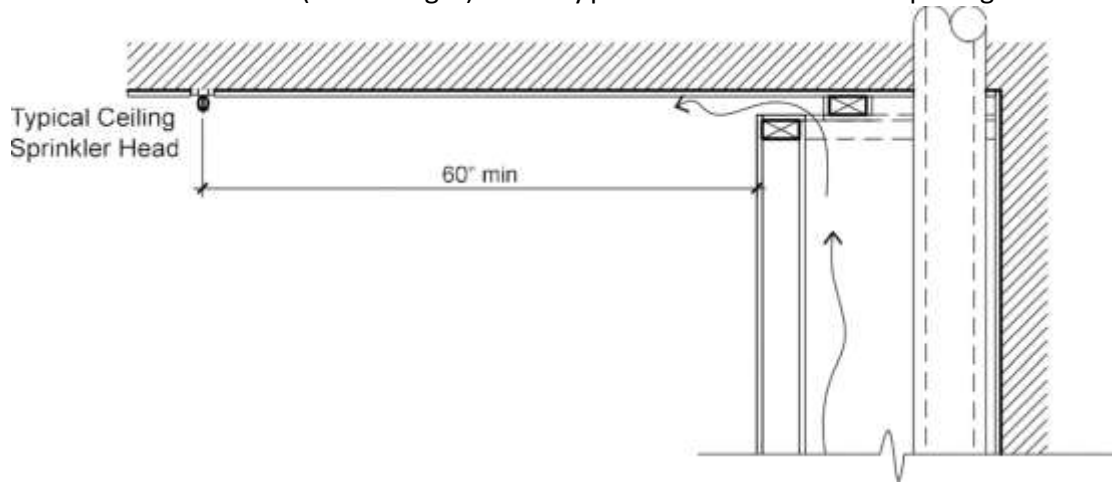
The entire heat release is put on just one side of the fireplace cavity.



Full Side Vertical Heat Release (Right Elevation)

Sprinkler Clearance to Heat Release

In a situation where a sprinkler head is in close proximity to the heat release, the detail shown in the diagram below **must** be followed. The distance between the sprinkler head to the heat release opening cannot be less than 60 inches (linear length) from any point of the heat release opening.

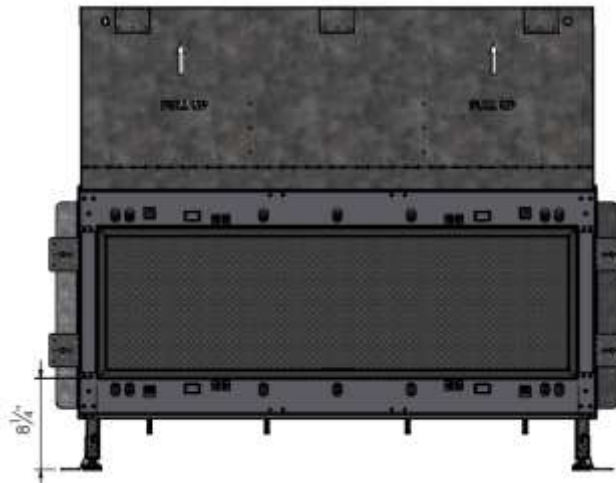


Chase Area Minimums

No part of the fireplace chase can have a smaller area than the required heat release size for your model (in square inches). See the section "Heat Release" to find your model's minimum required heat release size. The size of the smallest part your chase should not be less than the size of your required heat release.

Fireplace Legs

The Lyric models listed in this manual come standard with legs. These legs ensure that there is enough air flow under the fireplace for proper operation. **The legs cannot be removed.** Leg height Lyric fireplaces is 8 1/4" from the bottom of the glass opening to the floor:



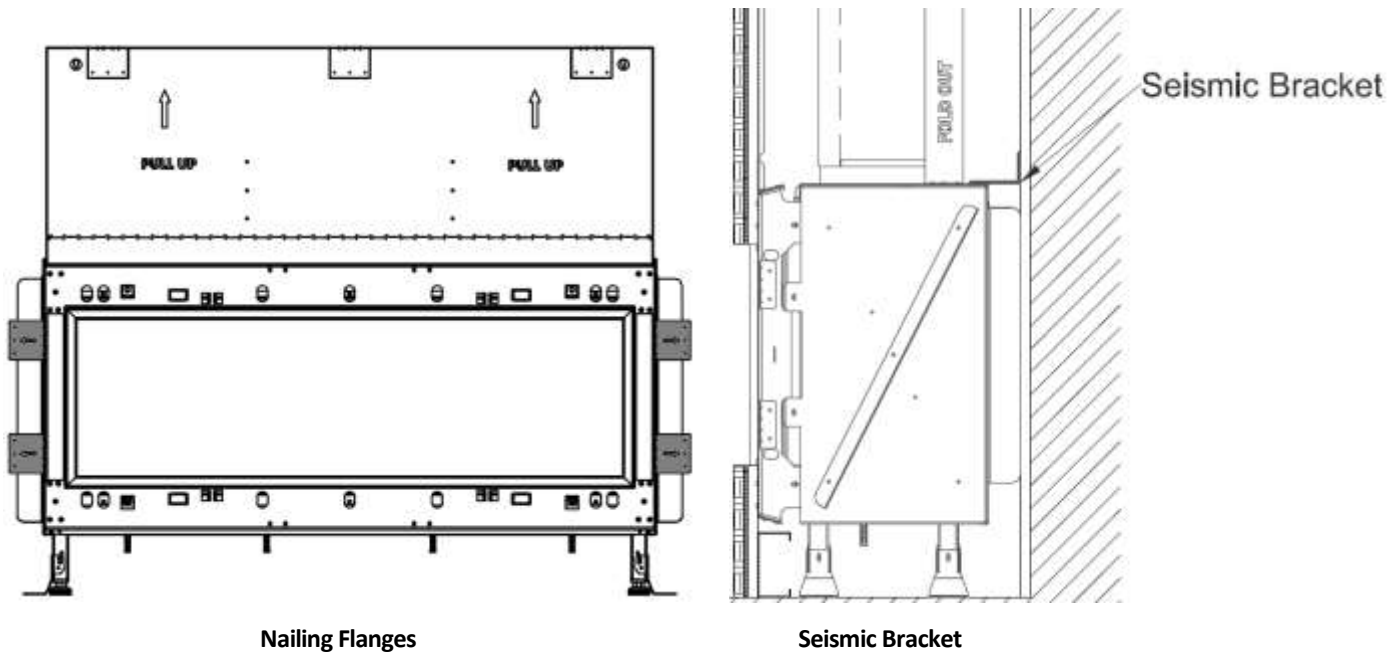
Floor/Platform

A Lyric fireplace can be set on wood, concrete, metal and other typical solid floor types. Lyric fireplaces come with legs that position the fireplace above the floor or platform on which they are installed. To lower the fireplace, it must be recessed into the floor. The legs cannot be removed, cut or adjusted.

To raise the fireplace, build a platform to which the fireplace can be secured. Platform must be stable and able to bear the full weight of the fireplace. Platform can be constructed out of plywood, concrete, metal or any other solid materials. Material does not have to be non-combustible.

Securing the Fireplace

The fireplace has four total nailing flanges attached to the upper and lower sides of the front of the fireplace body. Two seismic brackets on the top of the fireplace body are also supplied with the fireplace for added security and stabilization. The nailing flanges and seismic brackets are to be attached into a support structure upon installation. It is crucial to the finishing that the fireplace is stable, level and plumb.



Access Panel

An access panel is not required by the manufacturer, but it may be required by the AHJ. An access panel is **highly recommended** for all Lyric fireplaces mentioned in this manual. It allows for access to the fireplace's gas and electrical components for servicing.

Access Panel Size and Location Recommendations:

- Minimum of 10"x10" in size
- Located within 36" of the pilot (see "Gas Requirements and Setup" for diagram)

The size and location of the access panel may vary, but in all cases, it must allow the technician to comfortably access and service the fireplace's gas and electrical components. These components are attached to the pilot on a flexible gas line and can be moved to any location within 36 inches of the pilot (which is located at the center front of the burner).

For ease of access, move the fireplace's gas and electrical components as close to the access panel as possible. If there is any distance between the access panel and the gas and electrical components, it is recommended to increase the size of the access panel accordingly. Prior to installation, fireplace dealers/installers should work with their clients, project architects and/or interior designers to determine the best size and location of their access panel.

If an access panel cannot be incorporated, the alternative method of servicing the gas and electrical components would be through the fireplace. This procedure requires removing the screen heat barrier, internal glass panel, taking out the interior design media, and lifting the grill, burner and bottom pressure release valve. This will increase service time and difficulty. An access panel is always preferred.

Fireplace dealers/installers are advised to consult with their clients regarding the advantages and disadvantages of each service option.

Framing Requirements

The following sections show general framing requirements. Diagrams are shown with a flush wall application as an example, but this is not the only type of application allowed. A recess of up to 4.5" over each glass opening is allowed.

5/8" Type X Drywall Requirements

Framing must be covered completely with non-combustible material (as specified in the diagrams below) and have the gaps sealed with a non-combustible fire sealant. We recommend using 5/8" Type X drywall (or equivalent) with a level 1 finish (or better), but any building material that is equivalent to 5/8" Type X Drywall in heat insulation (R-value and K-value). 5/8" Type X Drywall (or equivalent) must comply with ASTM C1396 - Specification for Gypsum Board. Level 1 finish must be accordance with GA-214 - Recommended Levels of Gypsum Board Finish.

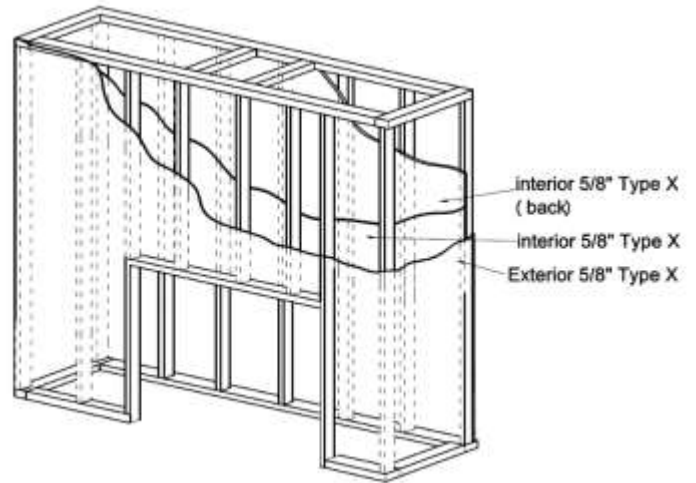
Do not locate exposed 5/8" Type X Drywall joints directly above the fireplace. Plan to include weight of other finish materials placed on the 5/8" Type X Drywall (or equivalent). If corner beads and other drywall trim are required, use metal products where non-combustible materials are required.

Fireplace-specific construction boards such as [Promafour](#) made by Promat are approved for use for added heat protection. This is *not* a requirement.

The following diagrams show 5/8" Type Drywall (or equivalent) requirements for metal vs. wood framing.

Wood Framing

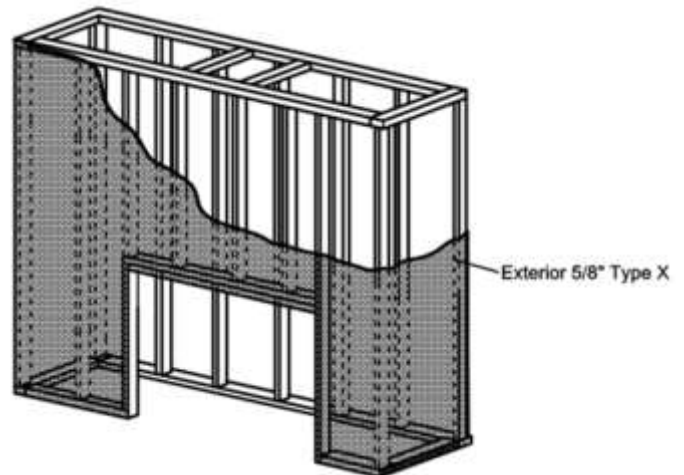
5/8" Type X Drywall is required on the interior (cladding the entire inner cavity/chase) and exterior of the wood framing. This provides heat protection for both the combustible framing and your finish material.



Wood Framing

Metal Framing

5/8" Type X Drywall is required on the exterior of the metal framing only. This provides heat protection for your finish material.



Metal Framing

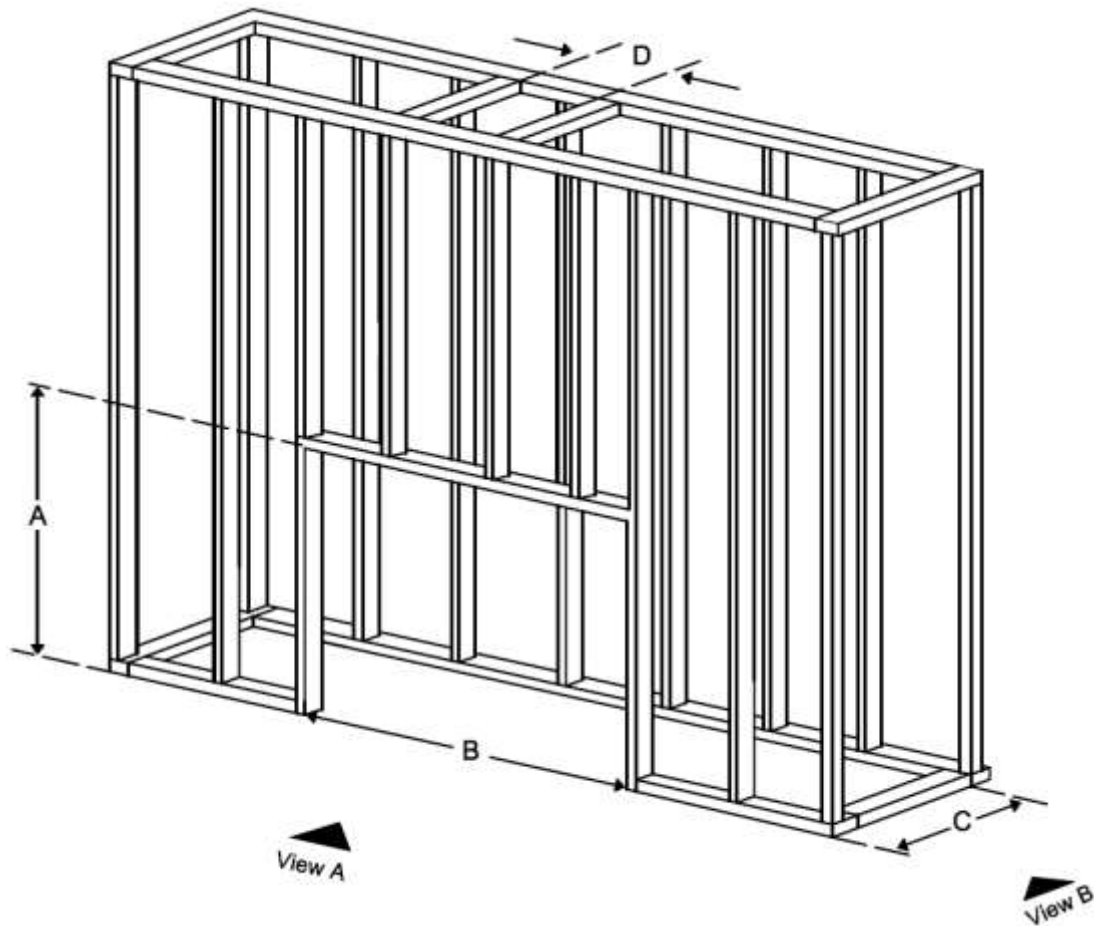


NOTE: If you are putting a TV or artwork above the fireplace, you will need a layer of 5/8" Type X Drywall (or equivalent) inside as well as outside your framing, regardless of framing material. See the TV Detail section for more information.

Framing Diagrams

The following diagrams show framing dimensions in a flush application as an example. A flush application is not the only possible application for Lyric fireplaces. A recess of up to 4.5" over each glass opening is allowed.

Front (F) Series Framing Diagram



Model	Framing	Dimension A	Dimension B	Dimension C	Dimension D
90 F	Metal*	42-1/16"	43-7/8"	16-5/16"	10"
90 F	Wood	42-1/16"	45-1/8"	16-15/16"	10"
90H F	Metal*	42-1/16"	43-7/8"	16-5/16"	10"
90H F	Wood	42-1/16"	45-1/8"	16-15/16"	10"
110 F	Metal*	42-1/16"	50-7/8"	16-5/16"	10"
110 F	Wood	42-1/16"	52-1/8"	16-15/16"	10"
140 F	Metal*	42-1/16"	63-9/16"	16-5/16"	10"
140 F	Wood	42-1/16"	64-13/16"	16-15/16"	10"

Dimension A – Metal: fireplace height + 1/4" (for maneuvering)

Dimension A – Wood: fireplace height + 1/4" (for maneuvering)

Dimension B – Metal: fireplace width

Dimension B – Wood: fireplace width + 5/8" + 5/8" (type X drywall on either side)

Dimension C – Metal: fireplace depth – 1/2" (drywall lip)

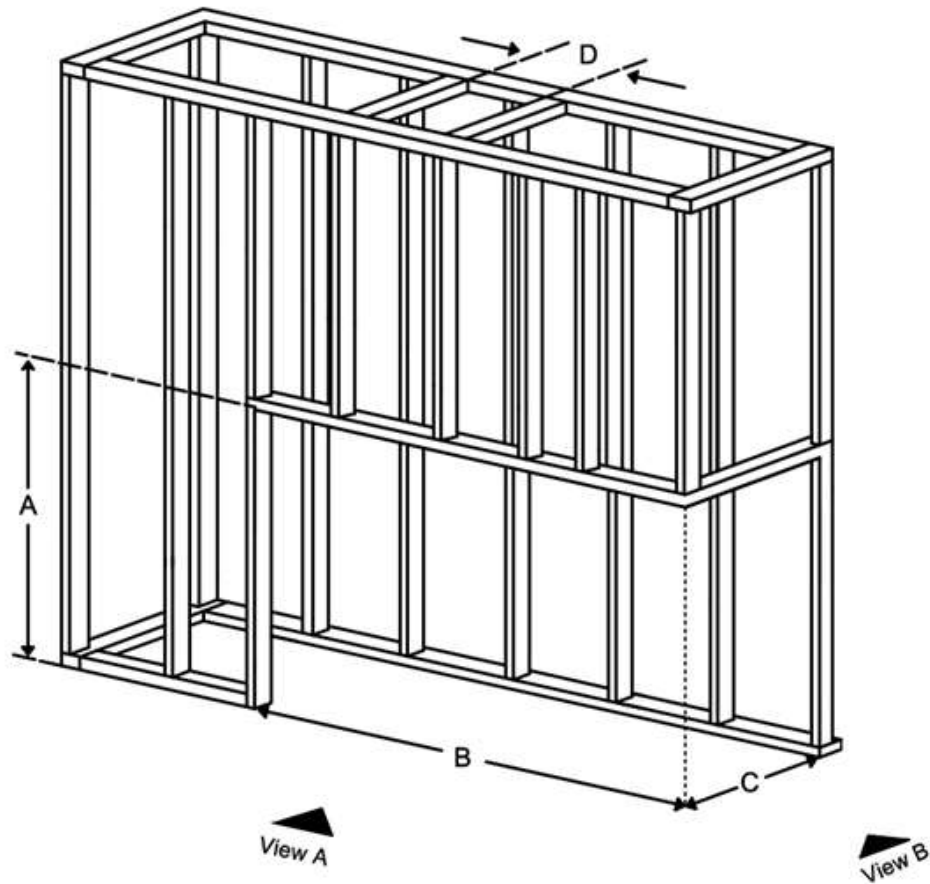
Dimension C – Wood: fireplace depth – 1/2" (drywall lip) + 5/8" (type X drywall)

Dimension D – Metal: pipe diameter + 1" right side clearance + 1" left side clearance

Dimension D – Wood: pipe diameter + 1" right side clearance + 1" left side clearance

*If you plan on putting a TV or artwork over the fireplace, use Wood framing values.

Corner (RS/LS) Series Framing Diagram



Model	Framing	Dimension A	Dimension B	Dimension C	Dimension D
90 RS/LS	Metal*	42-1/16"	40-3/8"	18-15/16"	10"
90 RS/LS	Wood	42-1/16"	41"	19-9/16"	10"
110 RS/LS	Metal*	42-1/16"	47-7/16"	18-15/16"	10"
110 RS/LS	Wood	42-1/16"	48-1/16"	19-9/16"	10"

Dimension A – Metal: fireplace height + 1/4" (for maneuvering)

Dimension A – Wood: fireplace height + 1/4" (for maneuvering)

Dimension B – Metal: fireplace width – 1/2" (drywall lip)

Dimension B – Wood: fireplace width – 1/2" (drywall lip) + 5/8" (type X drywall)

Dimension C – Metal: fireplace depth – 1/2" (drywall lip)

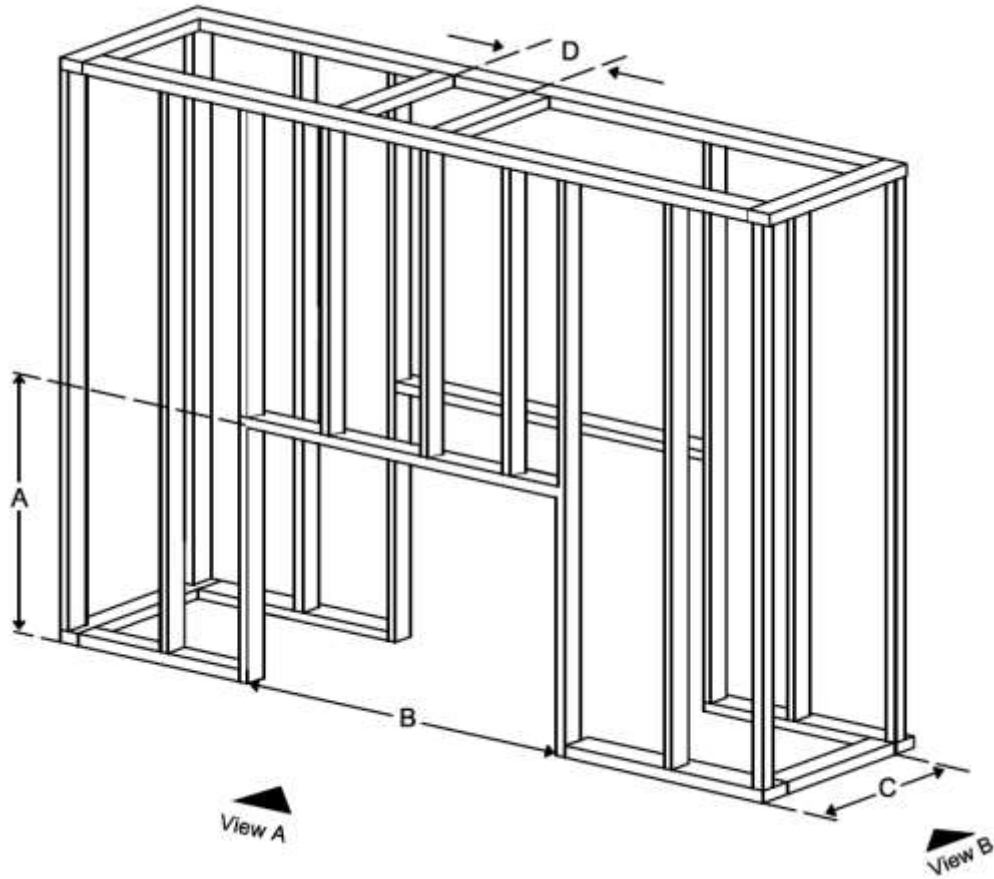
Dimension C – Wood: fireplace depth – 1/2" (drywall lip) + 5/8" (type X drywall)

Dimension D – Metal: pipe diameter + 1" right side clearance + 1" left side clearance

Dimension D – Wood: pipe diameter + 1" right side clearance + 1" left side clearance

*If you plan on putting a TV or artwork over the fireplace, use Wood framing values.

See Through (ST) Framing Diagram



Model	Framing	Dimension A	Dimension B	Dimension C	Dimension D
110 ST	Metal*	42-1/16"	51-9/16"	15-3/4"	10"
110 ST	Wood	42-1/16"	52-13/16"	15-3/4"	10"

Dimension A – Metal: fireplace height + 1/4" (for maneuvering)

Dimension A – Wood: fireplace height + 1/4" (for maneuvering)

Dimension B – Metal: fireplace width

Dimension B – Wood: fireplace width + 5/8" + 5/8" (type X drywall on either side)

Dimension C – Metal: fireplace depth – 1/2" – 1/2" (drywall lips)

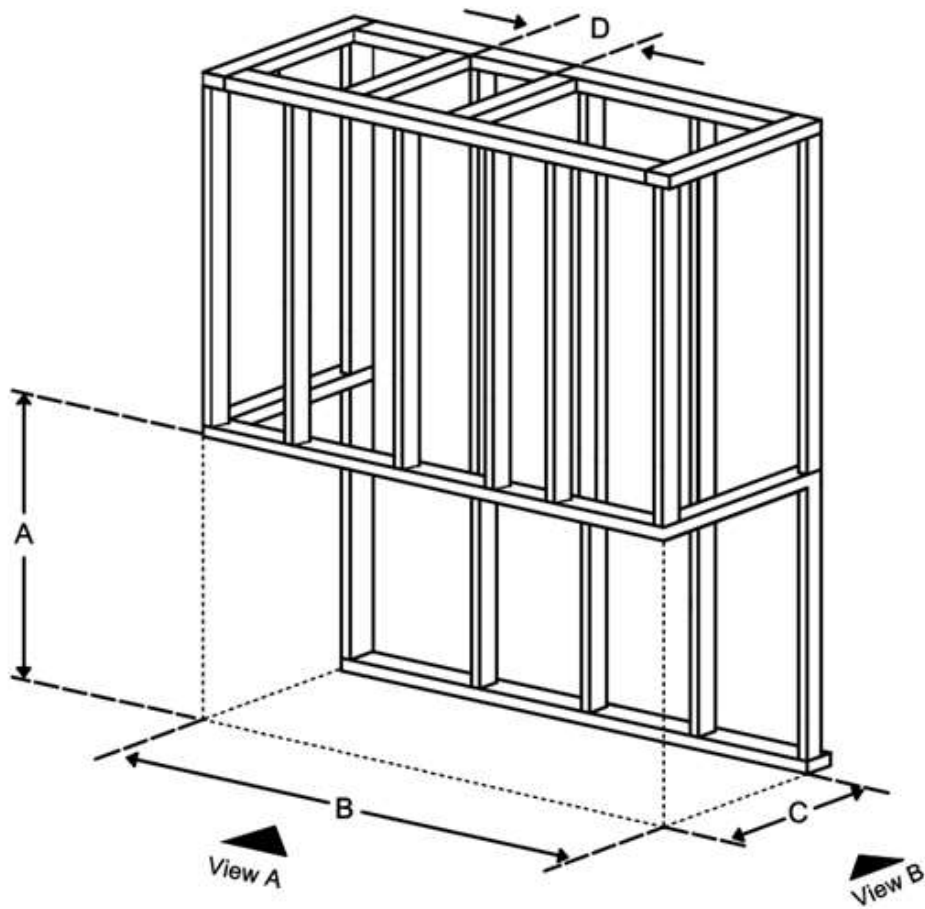
Dimension C – Wood: fireplace depth – 1/2" – 1/2" (drywall lips)

Dimension D – Metal: pipe diameter + 1" right side clearance + 1" left side clearance

Dimension D – Wood: pipe diameter + 1" right side clearance + 1" left side clearance

*If you plan on putting a TV or artwork over the fireplace, use Wood framing values.

Three Side (TS) Framing Diagram



Model	Framing	Dimension A	Dimension B	Dimension C	Dimension D
90 TS	Metal*	42-1/16"	38-7/8"	18-15/16"	10"
90 TS	Wood	42-1/16"	38-7/8"	19-9/16"	10"
110 TS	Metal*	42-1/16"	45-15/16"	18-15/16"	10"
110 TS	Wood	42-1/16"	45-15/16"	19-9/16"	10"

Dimension A – Metal: fireplace height + 1/4" (for maneuvering)

Dimension A – Wood: fireplace height + 1/4" (for maneuvering)

Dimension B – Metal: fireplace width – 1/2" – 1/2" (drywall lips)

Dimension B – Wood: fireplace width – 1/2" – 1/2" (drywall lips)

Dimension C – Metal: fireplace depth – 1/2" (drywall lip)

Dimension C – Wood: fireplace depth – 1/2" (drywall lip) + 5/8" (type X drywall)

Dimension D – Metal: pipe diameter + 1" right side clearance + 1" left side clearance

Dimension D – Wood: pipe diameter + 1" right side clearance + 1" left side clearance

***If you plan on putting a TV or artwork over the fireplace, use Wood framing values.**

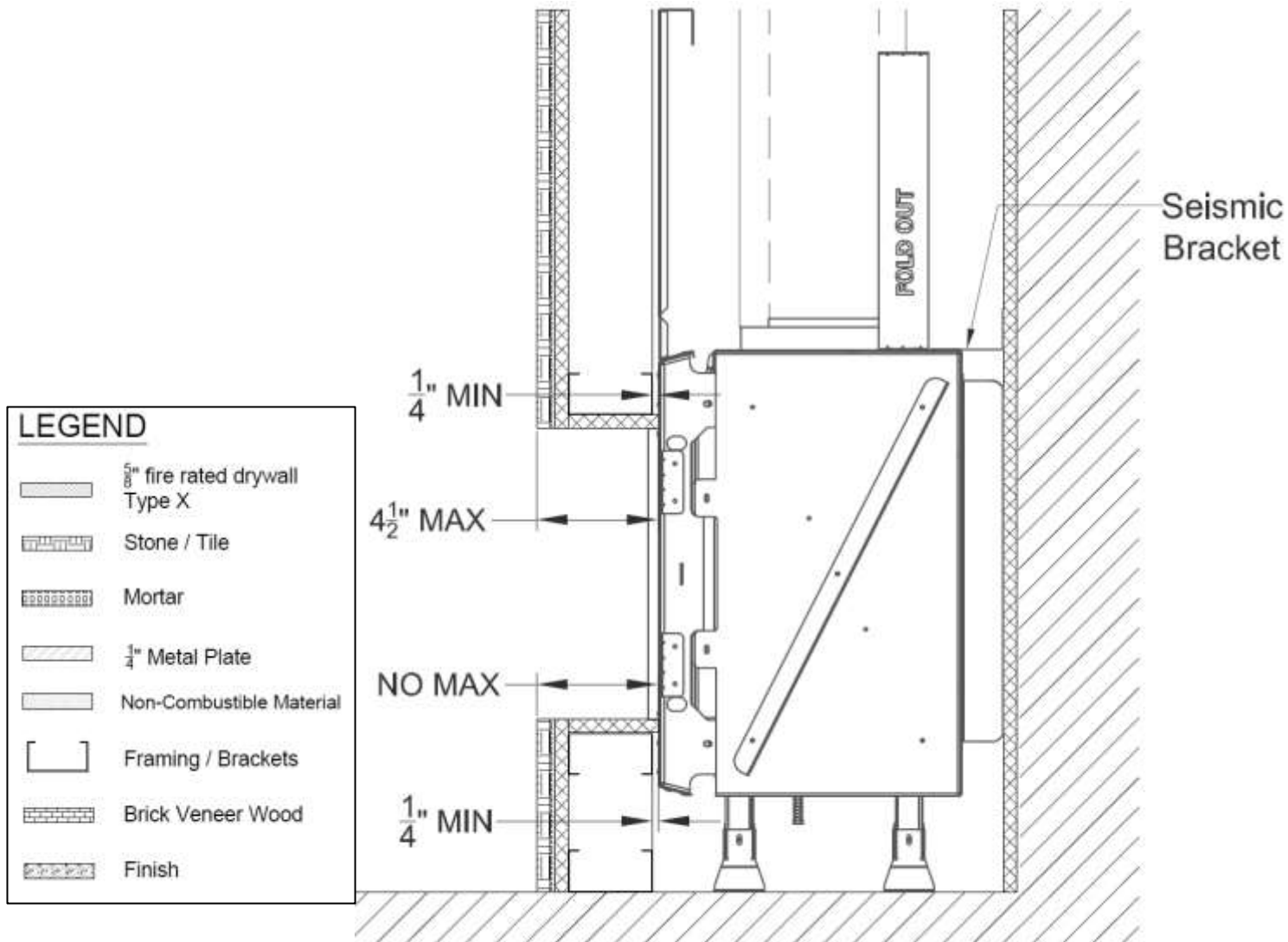
Clearance & Finish Diagrams

General Clearance Requirements

Maintain clearances as shown in the following figures.

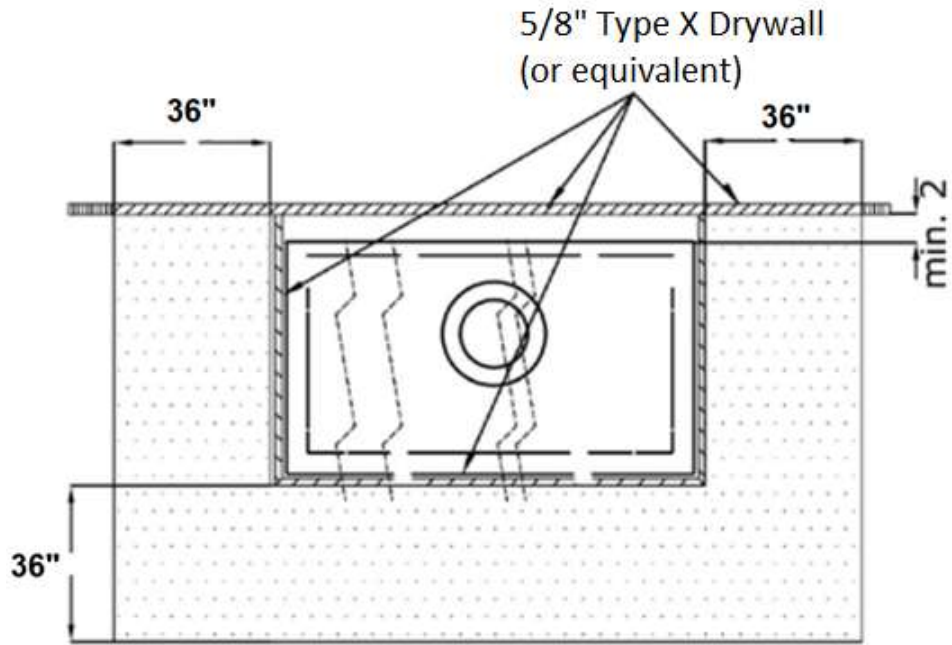
Fireplace Recess/Overhang: A recessed fireplace cannot have a top overhang deeper than 4-1/2" (including finish materials). This restriction applies to all glass sides in multisided fireplaces as well. Bottom recess (called "hearth extension") has no minimum or maximum requirements.

Framing Clearance: Maintain 1/4" of space between your framing and the fireplace.



Clearance to Furniture & Other Combustibles

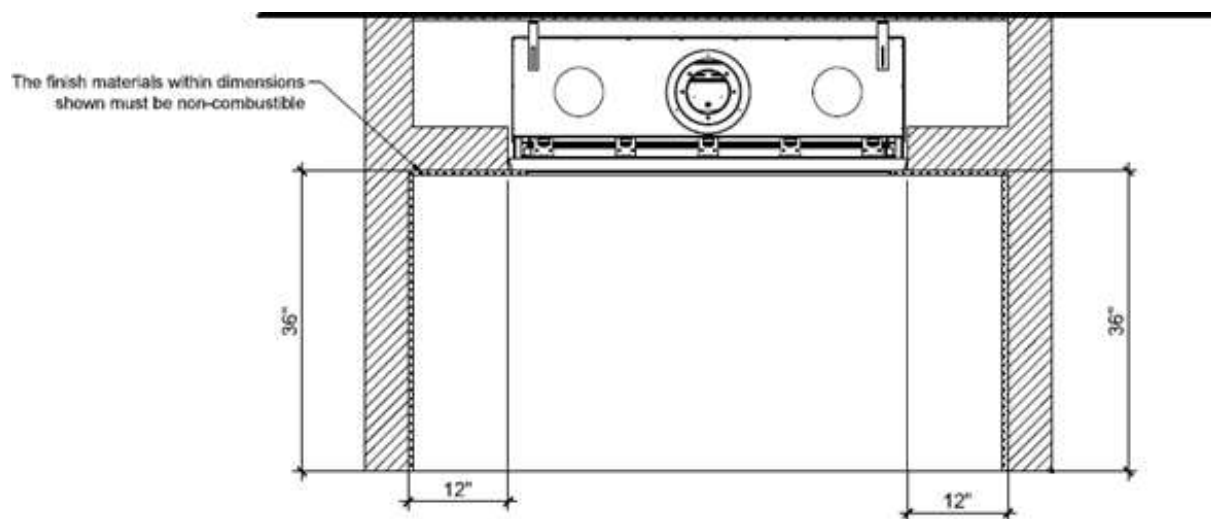
Furniture and other combustibles are not permitted within 36" of the fireplace glass. 36" clearance only applies to area directly in front of the fireplace glass. Space above and below fireplace glass is not included in this clearance requirement. The diagram below shows a Three Side model as an example.



Combustible Clearance Diagram (Plan View)

Inside Corner Clearances

The diagram below shows inside corner options. No combustible material should be placed within the dimensions shown. This diagram only applies if there is a wall on one or both sides of the fireplace.



Television/Art Installation Information & Diagrams

Lyric's Cool Wall Technology is a technique that prevents heat buildup within the fireplace chase, which keeps the wall cool and mitigates any damage that may result from high heat temperatures. Lyric's Cool Wall system enables the option of installing artwork, a TV, or other similar electronic components above the fireplace:

Location	Wall Temperature
0-6" above Lyric fireplace	100°F - 120°F
6-12" above Lyric fireplace	90°F - 100°F
12" above Lyric fireplace	80°F - 90°F

Required minimum clearance between bottom edge of TV or other similar device or artwork and top of fireplace opening is 12".

TV and Art Mounting Requirements

The following general guidelines are required to mount a TV or artwork above the fireplace and prevent heat damage:

- Mount the TV or artwork a minimum of 12 inches above the top opening of the fireplace.
- Line the interior and exterior of your framing with fire rated 5/8 Type X drywall (or equivalent), regardless of your framing material (wood studs vs. metal studs).
- Make sure the TV or artwork is never flush with the wall above the fireplace.

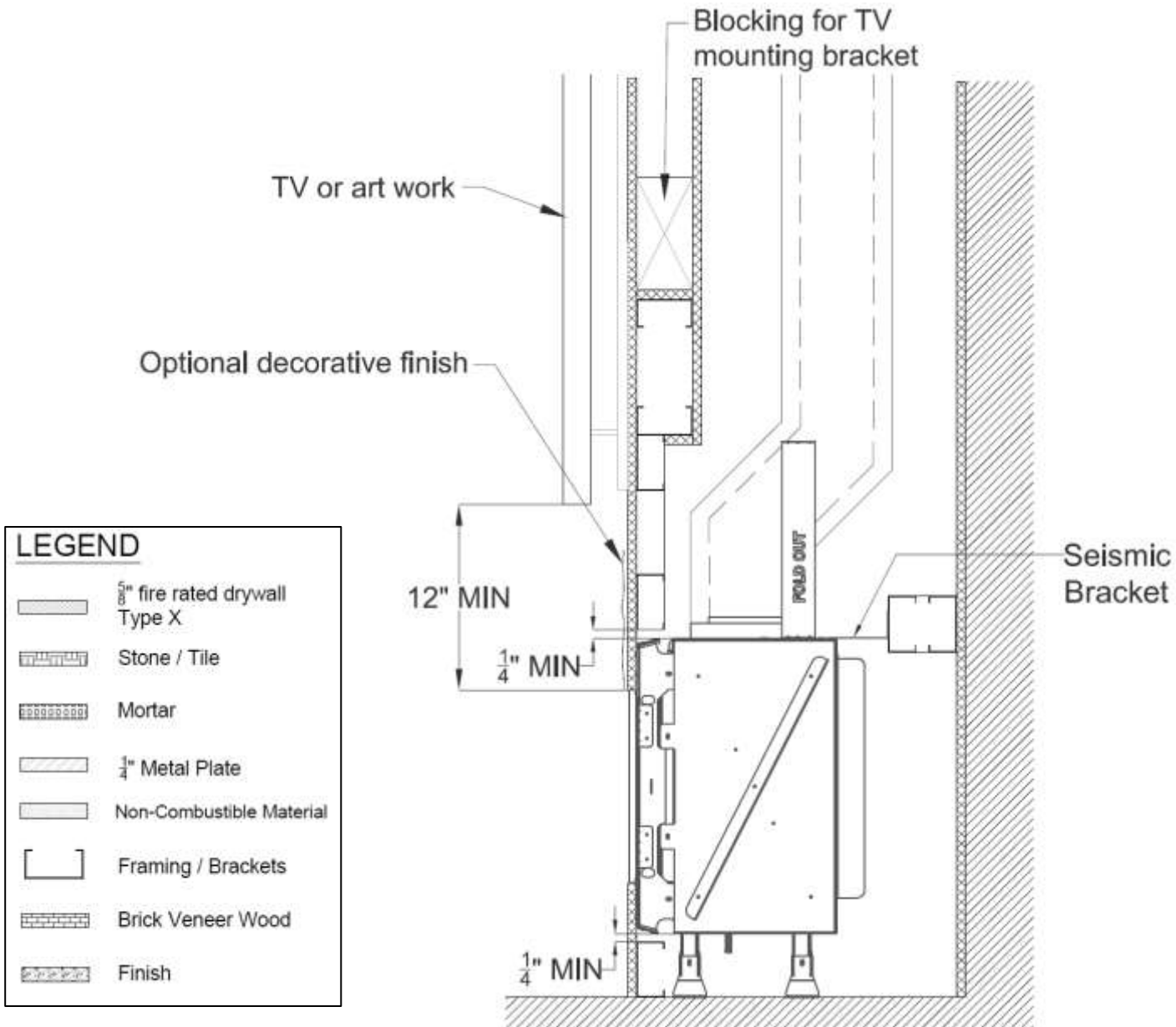
The following recommendation will further mitigate heat impact to electronics and art work, but is not a requirement:

- Use mineral wool insulation in the air space between 5/8" Type X Drywall layers.

The decision to install a television or artwork above a Lyric fireplace is up to the discretion of the consumer. TV and art manufacturers may specify in their instructions that the product should not be installed on, near or above a heat source. The fireplace manufacturer will not be held liable for any adverse effects on a TV, artwork or other equipment located near the Lyric fireplace. It is the customer's responsibility to verify that their TV or artwork can withstand the wall temperatures as outlined in the previous wall temperature chart.

The drawings in the following sections can be used as a guide for customers who do decide to locate their TV and artwork above their Lyric fireplace. These drawings illustrate ways of reducing the amount of heat impact to the area surrounding the fireplace.

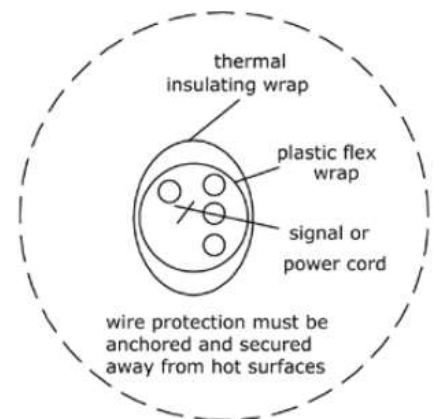
TV Detail for a Flush Fireplace and Mounted TV



NOTE: The front zero-clearance stand-off directly above the fireplace opening must be removed. This is the only stand-off that is permitted to be removed.

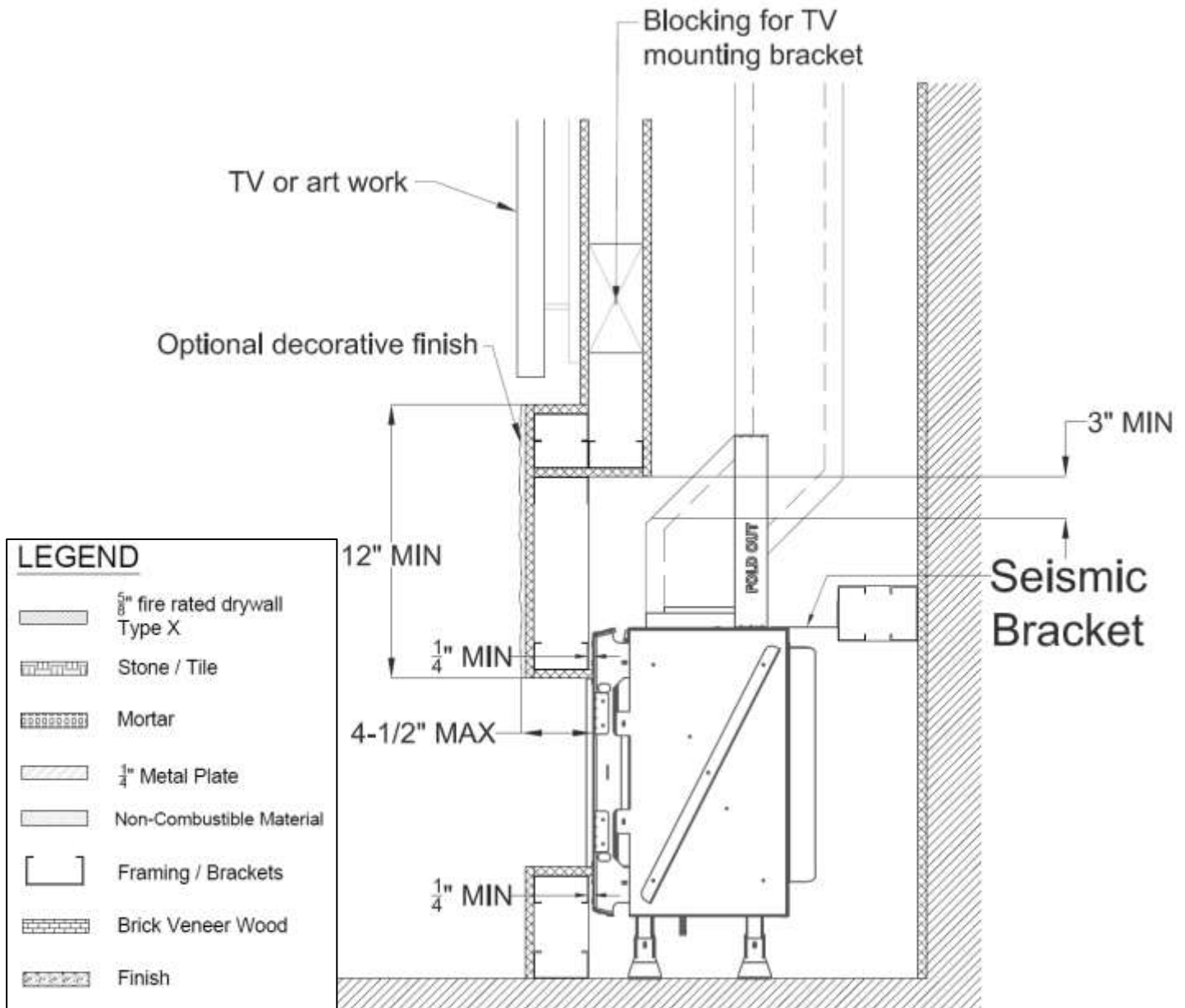


NOTE: When running wires for electronics through the fireplace chase, it is recommended to wrap wires in a thermal insulating wrap (R-6) as shown in diagram to the side.



The air flow area must be free from any obstruction to allow heat from the chase to be released.

TV Detail for a Recessed Fireplace and Recessed TV



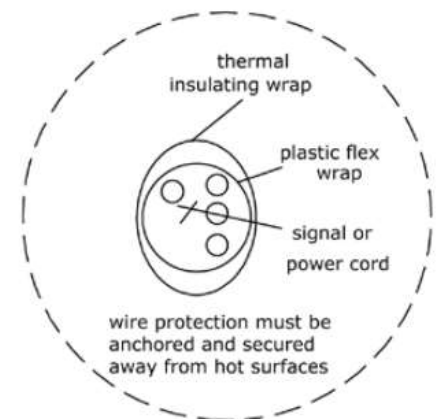
NOTE: The front zero-clearance stand-off directly above the fireplace opening must be removed. This is the only stand-off that is permitted to be removed.



NOTE: When running wires for electronics through the fireplace chase, it is recommended to wrap wires in a thermal insulating wrap (R-6) as shown in diagram to the side.



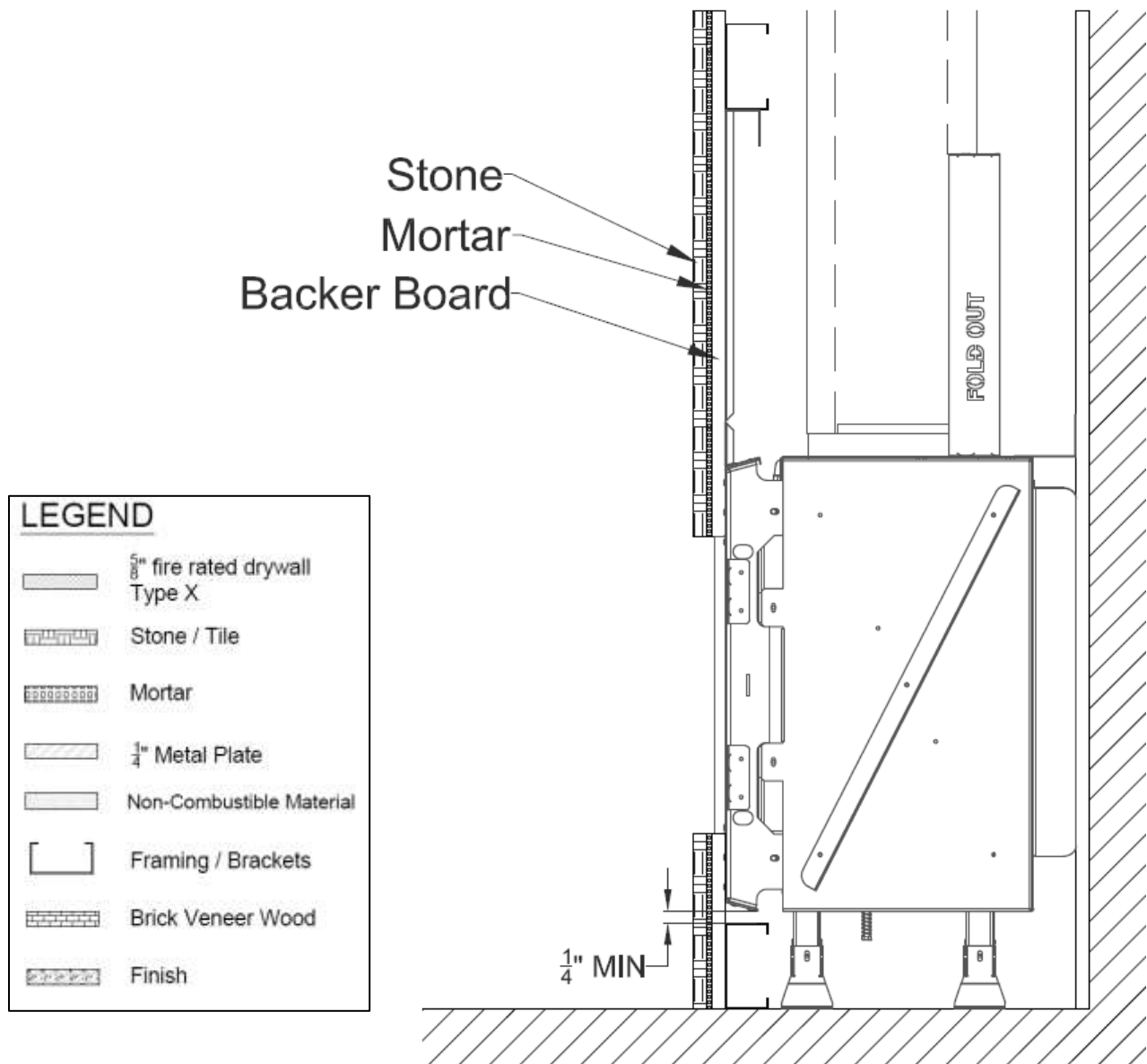
The air flow area must be free from any obstruction to allow heat from the chase to be released.



Finish Diagrams

The following diagrams show various finish applications.

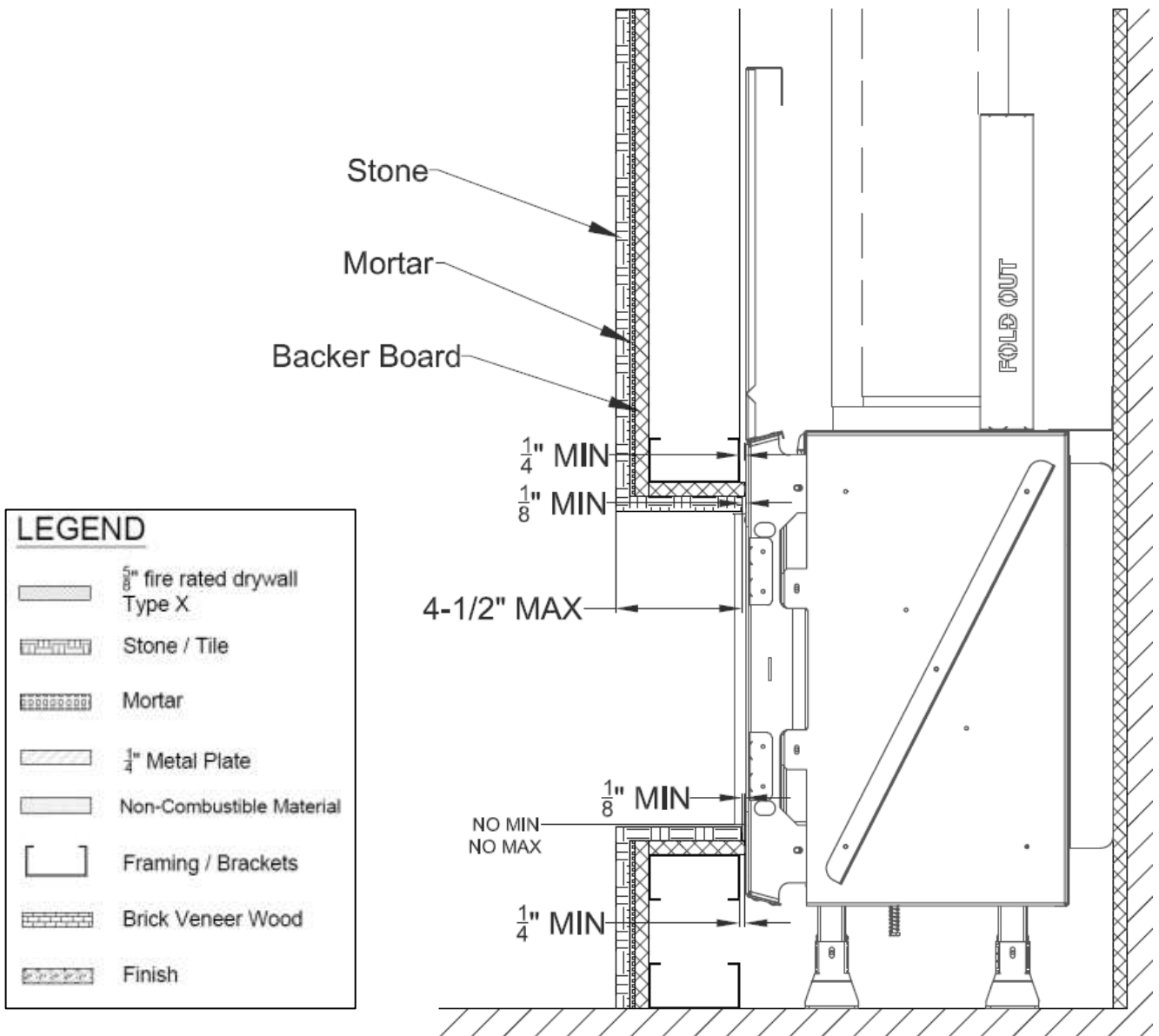
Non-Combustible (Stone) Finish – Flush Application



NOTES:

- For manufactured stone products the clearance requirements will be determined by the stone manufacturer. Natural stone finishes do not require a recessed application and may be flush with the fireplace.
- Only 5/8" Type X Drywall or equivalent material (like backer board) is permitted to touch the fireplace.

Non-Combustible (Stone) Finish – Recessed Application



NOTE:

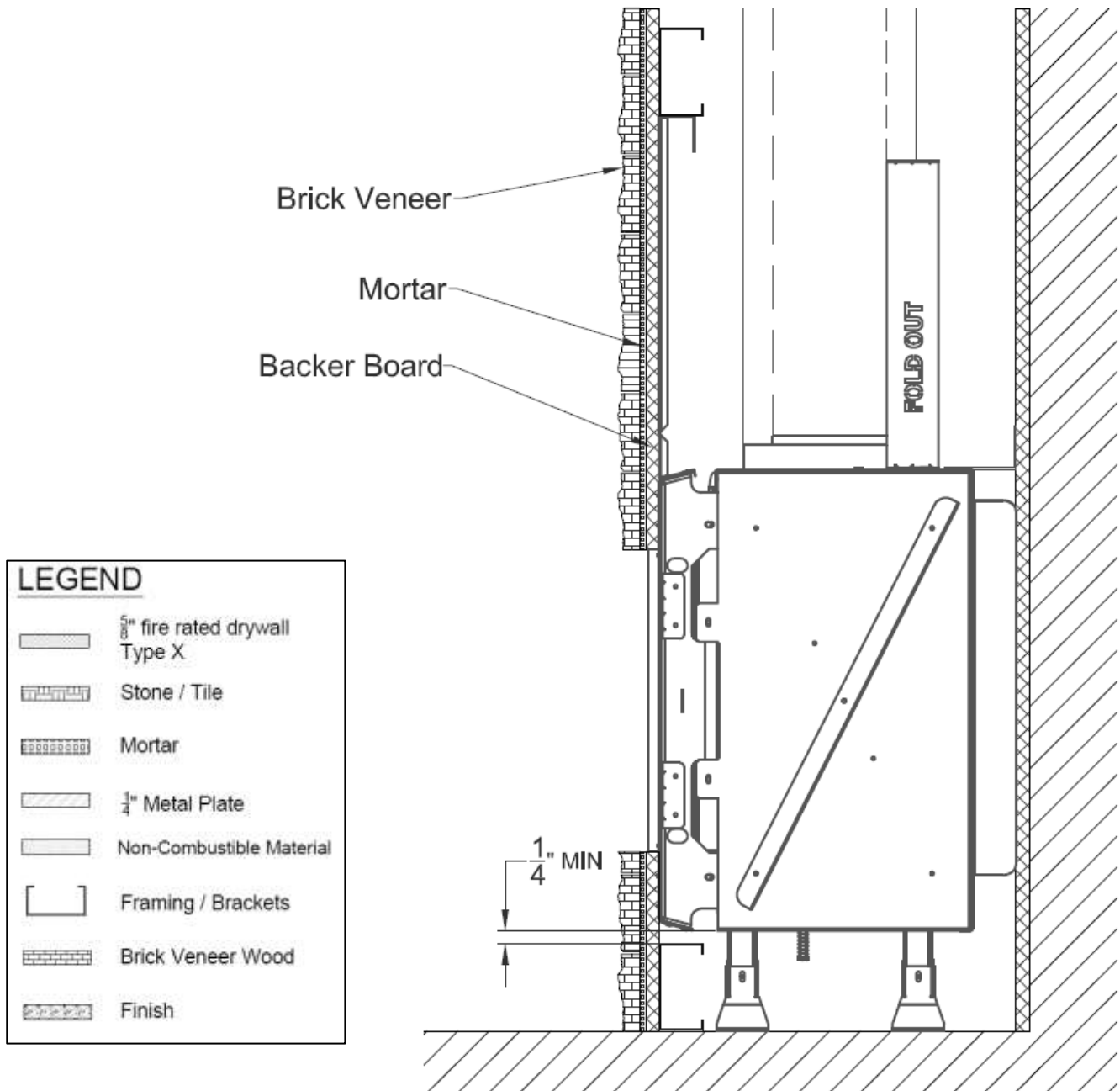
- For manufactured stone products the clearance requirements will be determined by the stone manufacturer. Natural stone finishes do not require a recessed application and may be flush with the fireplace.



HEARTH EXTENSION NOTES:

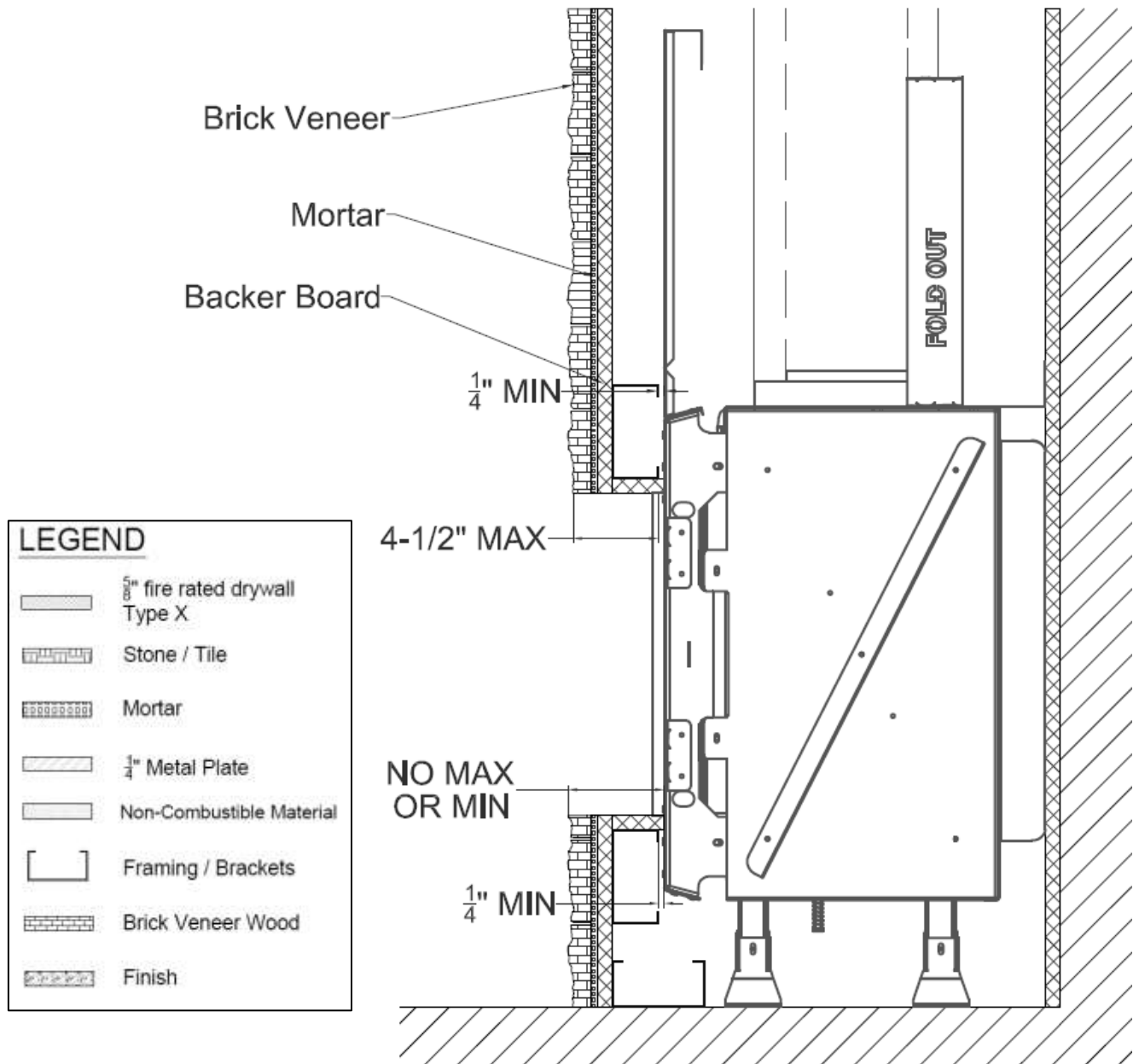
- The framing must maintain a 1/4" clearance to the fireplace
- The finish must maintain at least a 1/8" clearance to the fireplace.
- Don't frame or finish above the bottom lip of the fireplace (otherwise the fireplace glass cannot be removed).

Brick Veneer Finish – Flush Application




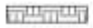






NOTE: Only 5/8" Type X Drywall or equivalent material (like backer board) is permitted to touch the fireplace.

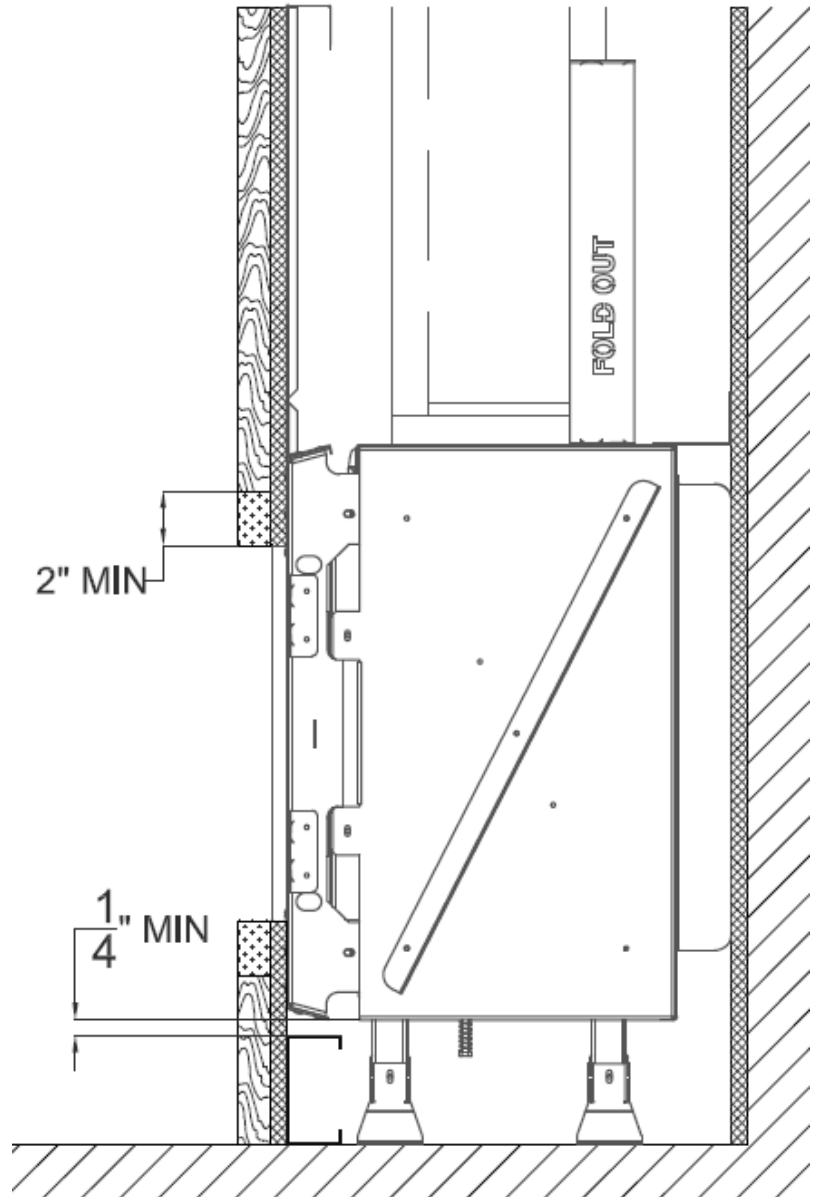
Brick Veneer Finish – Recessed Application



NOTE: Only 5/8" Type X Drywall or equivalent material (like backer board) is permitted to touch the fireplace.

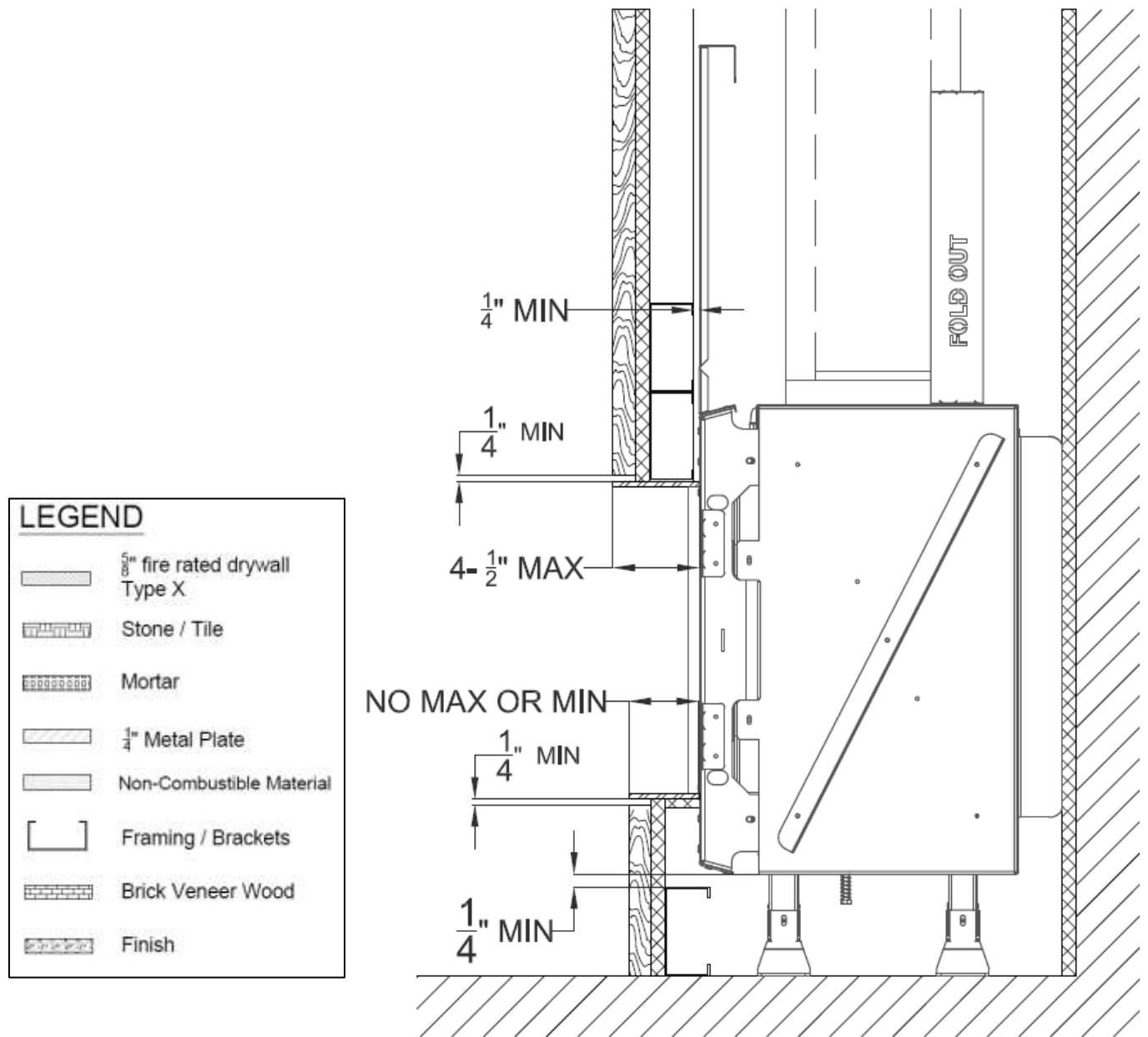
Combustible (Wood) Finish - Flush

LEGEND	
	5/8" fire rated drywall Type X
	Stone / Tile
	Mortar
	1/4" Metal Plate
	Non-Combustible Material
	Framing / Brackets
	Brick Veneer Wood
	Finish



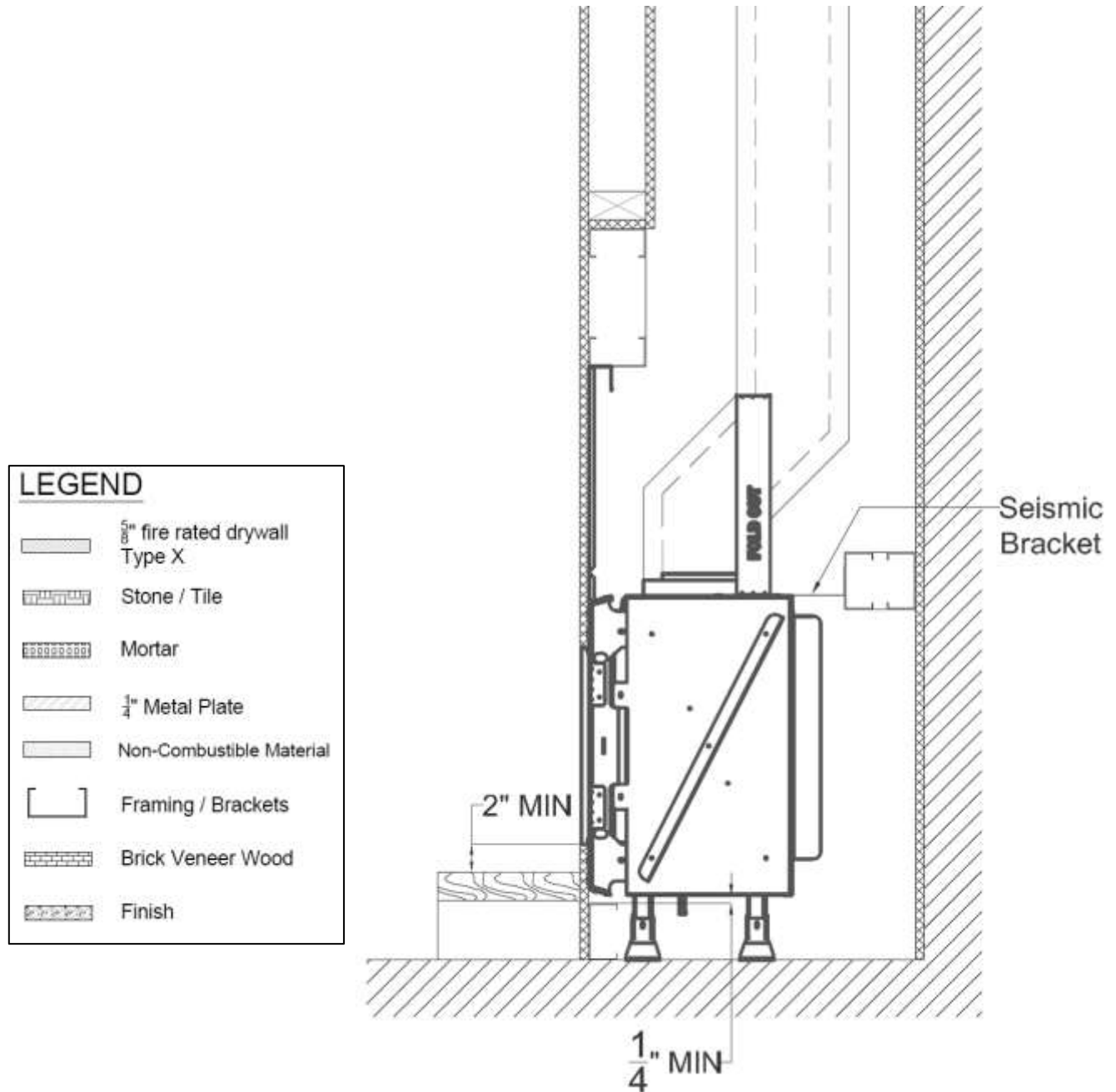
NOTE: Non-combustible trim goes around the entire fireplace opening as a border.

Combustible (Wood) Finish - Recessed



NOTE: Non-combustible plate goes around the entire fireplace opening as a border on sides where fireplace is recessed.

Wood Hearth Extension



WARNING – Wood hearth extensions may dry out, crack, warp or become discolored.

The air flow area must be free from any obstruction to allow heat from the chase to be released.



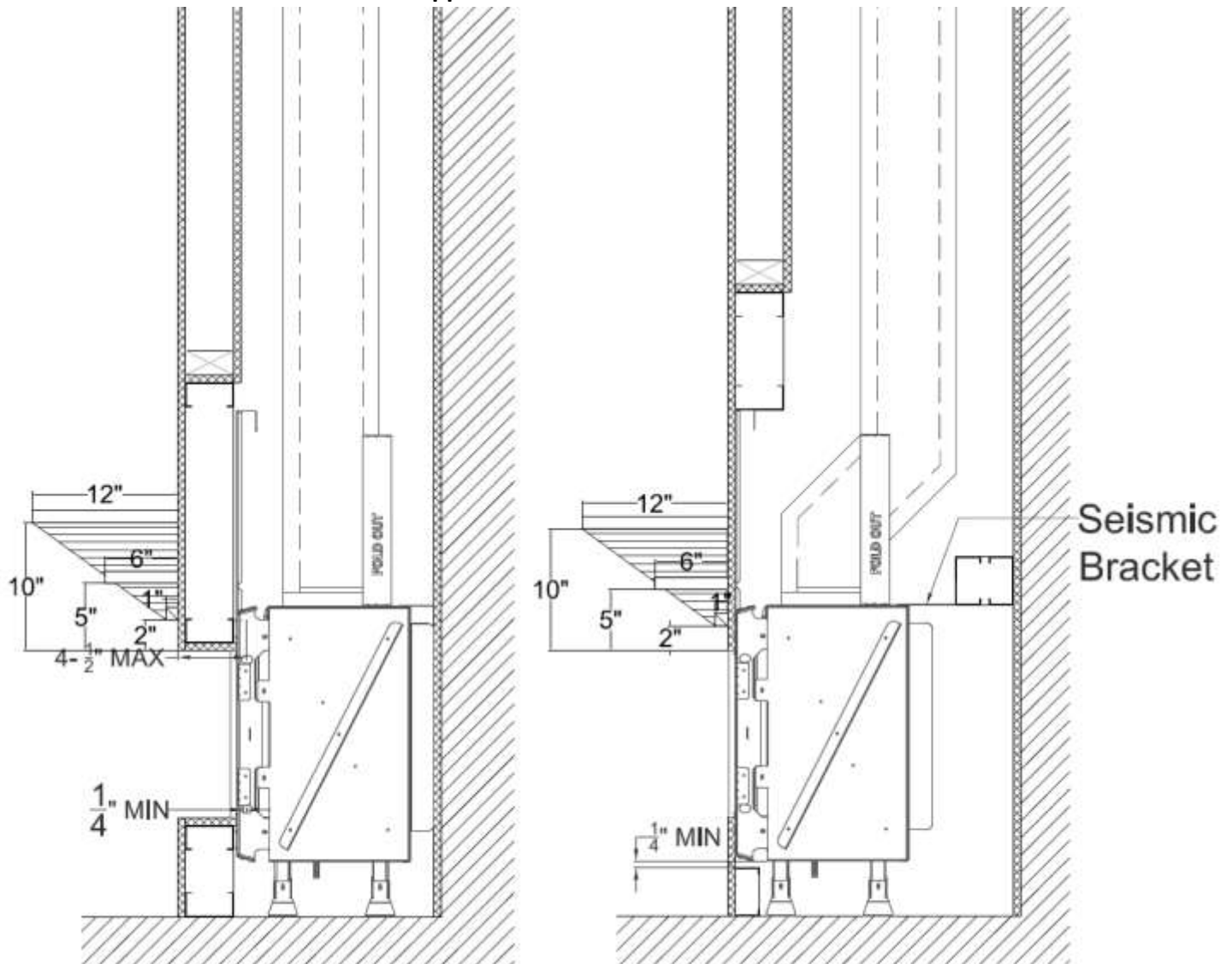
NOTES:

- A hearth extension is not required but may be used as a design feature.
- Diagram shows fireplace in a flush application. This is not a requirement for a wood hearth extension. Flush and recessed applications are acceptable.


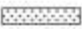
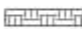





Mantel Diagrams

A mantel is not required but may be incorporated as a design feature. The following diagrams show how to safely design a mantel above your Lyric fireplace.

Mantel Detail - Recess and Flush Application



LEGEND

	5/8" fire rated drywall Type X		Non-Combustible Material
	Stone / Tile		Framing / Brackets
	Mortar		Brick Veneer Wood
	1/4" Metal Plate		Finish



NOTE: Mantel can be combustible or non-combustible material.

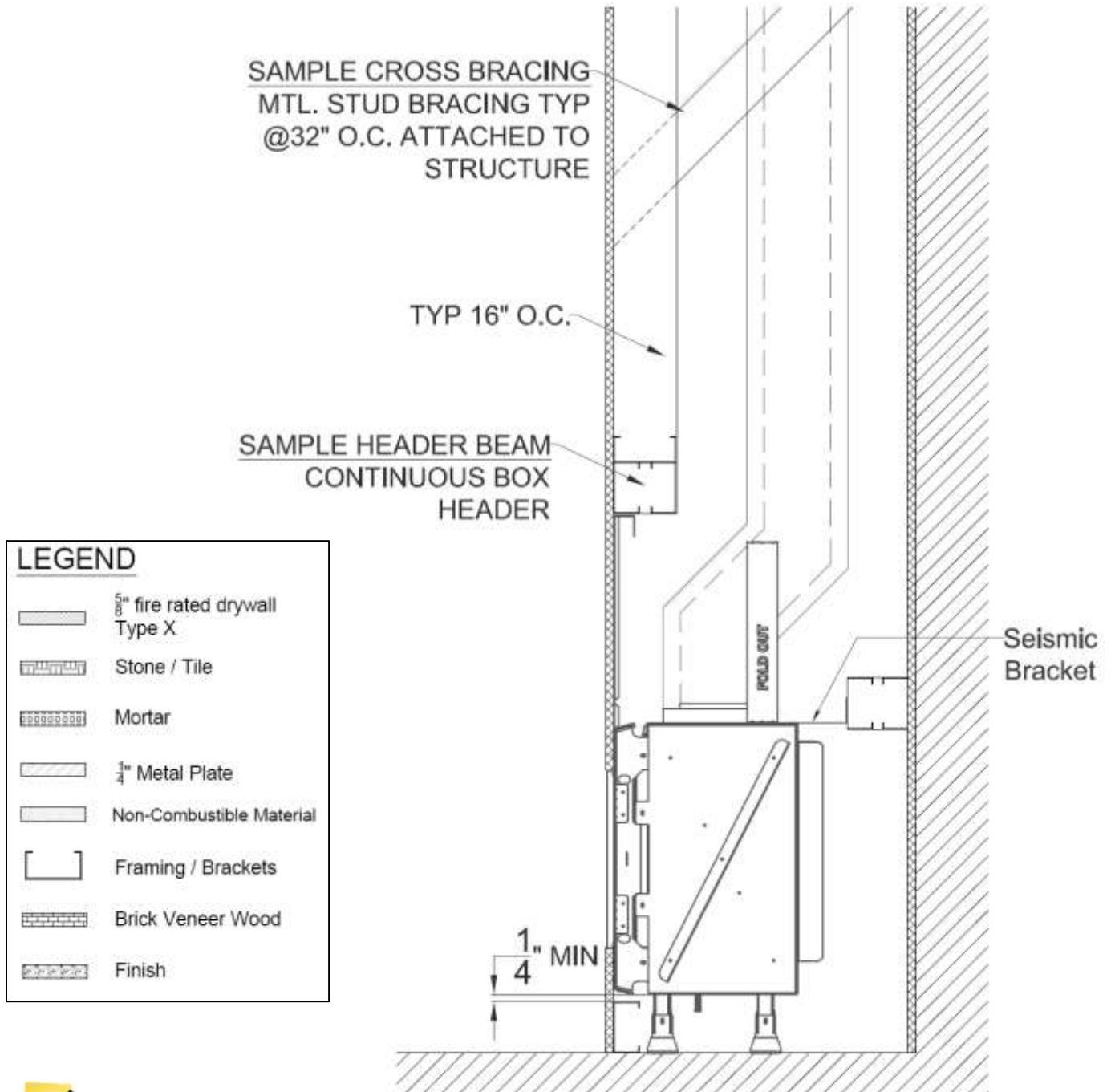


The air flow area must be free from any obstruction to allow heat from the chase to be released.

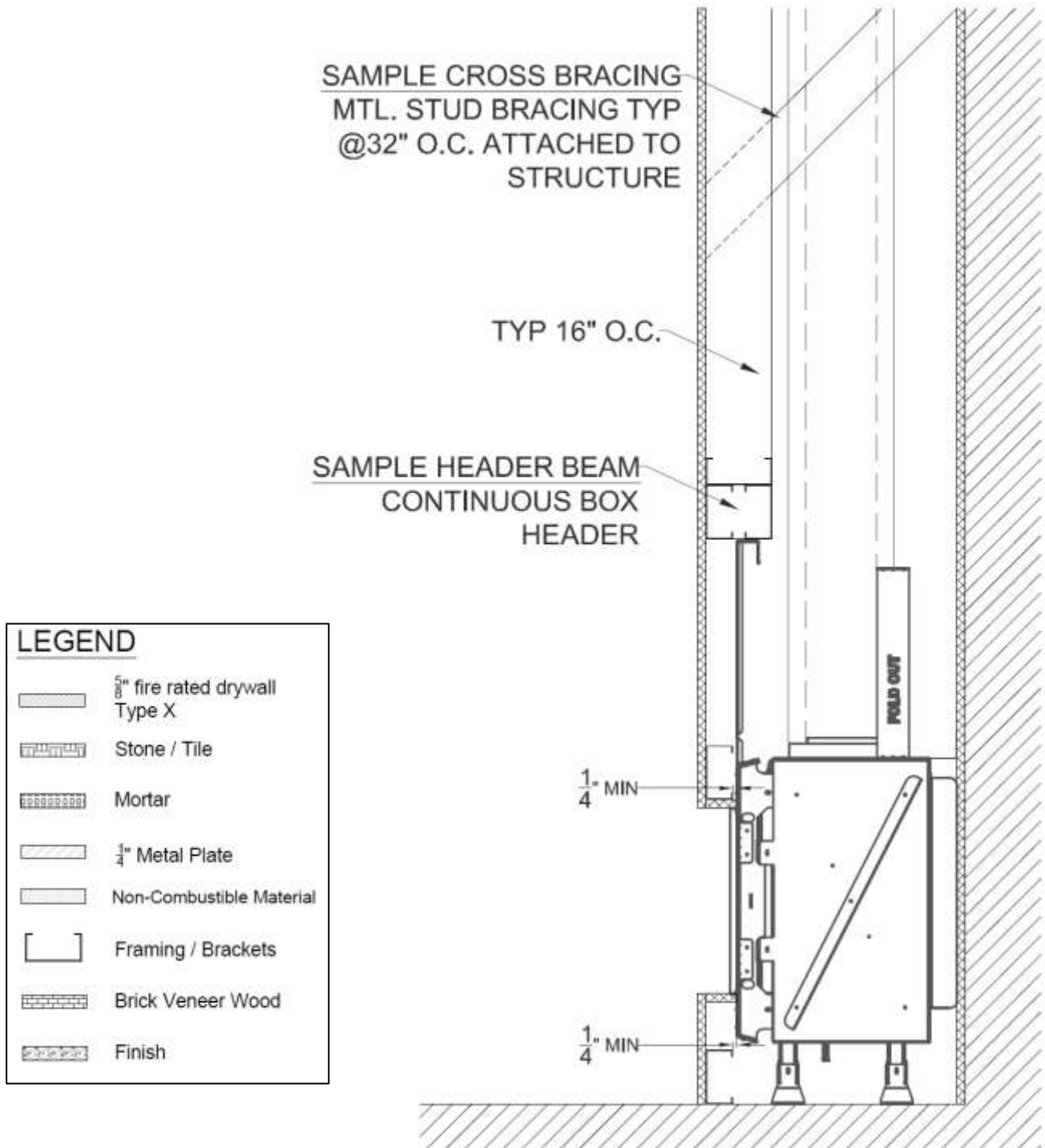
Diagram for Structural Weight Support

Lyric fireplaces must not carry any structural weight. The framing must be supported by another surface. Please consult with your structural engineer and refer to your local building codes for proper wall support. The following drawing shows a recommended approach to this type of installation.

Structural Weight Support – Flush Application



Structural Weight Support – Recessed Application



NOTE:

- The fireplace cannot bear any weight. Only Type X drywall (or equivalent) can be touching/attached to the fireplace.

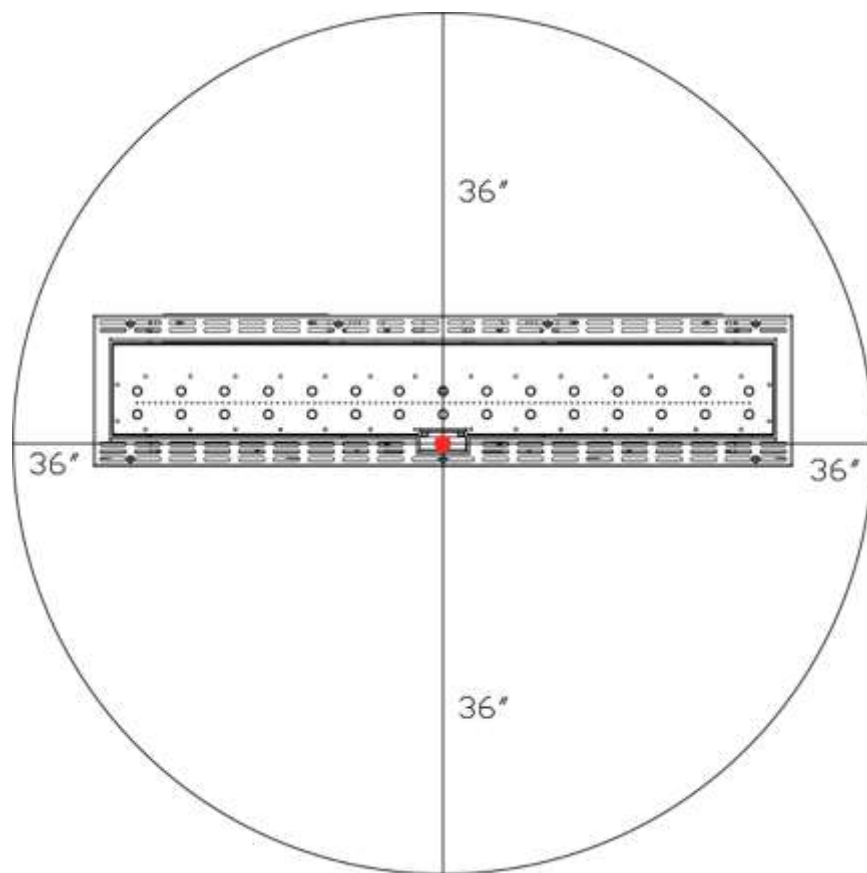
Gas Requirements and Setup

Lyric fireplaces are sealed direct vent systems that are certified to operate with natural gas (NG) or propane (LP) only. The following sections present detailed information about gas routing, pressures, and more.

Routing the Gas Line

Correctly size and route the gas supply line from the supply regulator to the area where the access panel is located (or to the burner area if no access panel is available – see diagram below), as per the requirements outlined in the latest edition of the National Fuel Gas Code, NFPA 54 (USA) or CAN/CSA-B1491 (Canada).

The gas and electrical components are attached to the pilot on a flexible gas line and can be moved to any location within 36 inches of the pilot (which is located at the center front of the burner). Gas line should be routed to the access panel area (see “Access Panel” section for details). If no access panel is planned, gas line should be routed to most accessible area within 36 inches of the pilot.



⚠ WARNING –The main gas valve must be installed to allow complete disconnection of the fireplace from the gas supply piping system for servicing purposes.

Gas Pressure and Heat Input Charts

The following table lists gas pressures and heat input values.

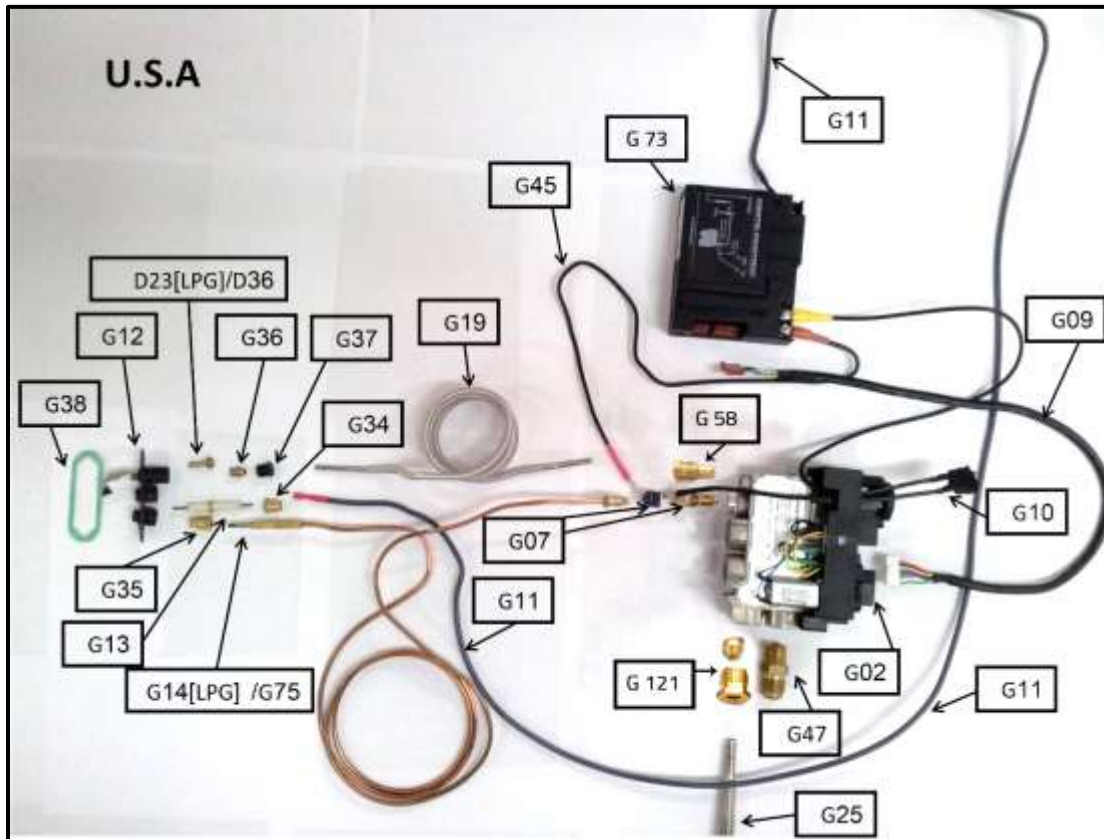
SERIES	BURNER	GAS TYPE	Inlet Pressures (Inch W.C.)		Manifold Pressures (Inch W.C.)		Heat Input BTU/hr		ORIFICE SIZE
			Min	Max	Min	Max	Min	Max	
90 90H	70S	Natural Gas (NG)	5.0	10.0	0.9	4.0	14,461	36,154	800
	70D	Propane (LP)	11.0	13.0	0.9	10.5	14,104	35,260	180+160
110	100	Natural Gas (NG)	5.0	10.0	0.9	5	22,800	37,167	1200
		Propane (LP)	11.0	13.0	0.9	10.8	22,900	28,541	260
140	135	Natural Gas (NG)	5.0	10.0	0.9	3.5	23,300	43,715	1400
		Propane (LP)	11.0	13.0	0.9	10.7	27,100	36,850	380

High Altitude Gas Requirement

For elevations above 2,000 feet, fireplace shall be re-rated 4% for each 1,000 feet above sea level.

Gas Control Assemblies and Components

Assemblies and components are listed and described in the tables following the figure.



PART NUMBER	DESCRIPTION
D23	Propane pilot orifice
D36	Natural gas pilot orifice
G02	Mertik gas valve
G07	Thermocouple block
G09	8-wire cable 500 mm
G10	Switch cables 180/500 mm
G11	Spark wire
G12	Pilot base
G13	Spark plug
G19	Pilot gas tube
G75	NG Thermocouple
G14	LP Thermocouple

PART NUMBER	DESCRIPTION
G25	Burner gas tube
G34	Spark plug connector
G35	TC connector
G36	Olive D.4
G37	Nut for olive D.4
G38	Pilot gasket
G45	Cable
G58	One-piece connection fitting 4mm
G73	Mertik universal receiver
G121	Main burner gas fitting
G47	Fitting for main line inlet to gas valve

The manufacturer of Lyric's gas and electrical components is Mertik Maxitrol. For information on these components, please visit the manufacturer's website: www.mertikmaxitrol.com.

Gas Conversion

Gas conversion (NG to LP or LP to NG) can be done in the field. Gas conversion can be performed only by technicians who have specific authorization by the manufacturer to change these components. The conversion kit must be supplied by the manufacturer and purchased through the dealer. Using parts from other manufacturers or having an unauthorized party performing the conversion will void your fireplace's warranty.

Pilot Inspection

During start up and service, the pilot and its accessories must be inspected for cleanliness and completeness. Do **NOT** disassemble the components. The green pilot gasket must be replaced anytime the assembly is unscrewed.

Pilot Maintenance

- Remove the media and vacuum all debris from the fireplace, burner and grill area at least once a year (quarterly for commercial installations).
- Visually inspect the pilot flame. The appearance should be candle-like with blue and yellow coloring. The pilot flame has two distinct flames. One engulfs the thermocouple, and the other reaches the main burner. Both flames must be present.
- The area around the pilot orifice should be inspected. Any foreign material must be removed with a brush or vacuum.



Pictured: Pilot Components (left to right: pilot, spark plug, thermocouple)

⚠ WARNING – For safety reasons, always be present when the fireplace is in operation.

Thermocouple Maintenance

Thermocouple integrity and operation must be checked. The service technician needs to confirm that the thermocouple is in place and is not cracked or damaged.

Electrical Guidelines

This chapter details electrical and wiring requirements for installation of Lyric fireplaces.

Electrical Requirements

Lyric fireplaces have two electrical options:

Batteries

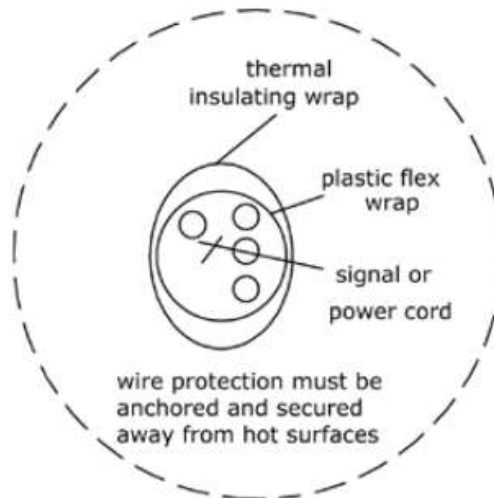
The fireplace can run on 4 AA batteries located in the receiver unit with no other electrical support. An access panel is **very highly recommended** to reduce service time when replacing batteries.

Electrical Outlet

Provide a single gang (two outlet) box (120v 15-amp 60hz) in the location where the gas and electrical components will be placed, which must be within 36" of the pilot (see diagram in "Gas Requirements and Setup" for visual). An AC Adapter is provided with all Lyric fireplaces to connect the receiver unit to the outlet. Electrical work should be done by a qualified licensed electrician, per local code. Batteries are not required when AC Adapter is connected.

TV/Electronics Electrical Wires

When running wires for electronics (such as a TV) through the fireplace chase, it is recommended to wrap wires in a thermal insulating wrap (R-6) as shown in diagram below:

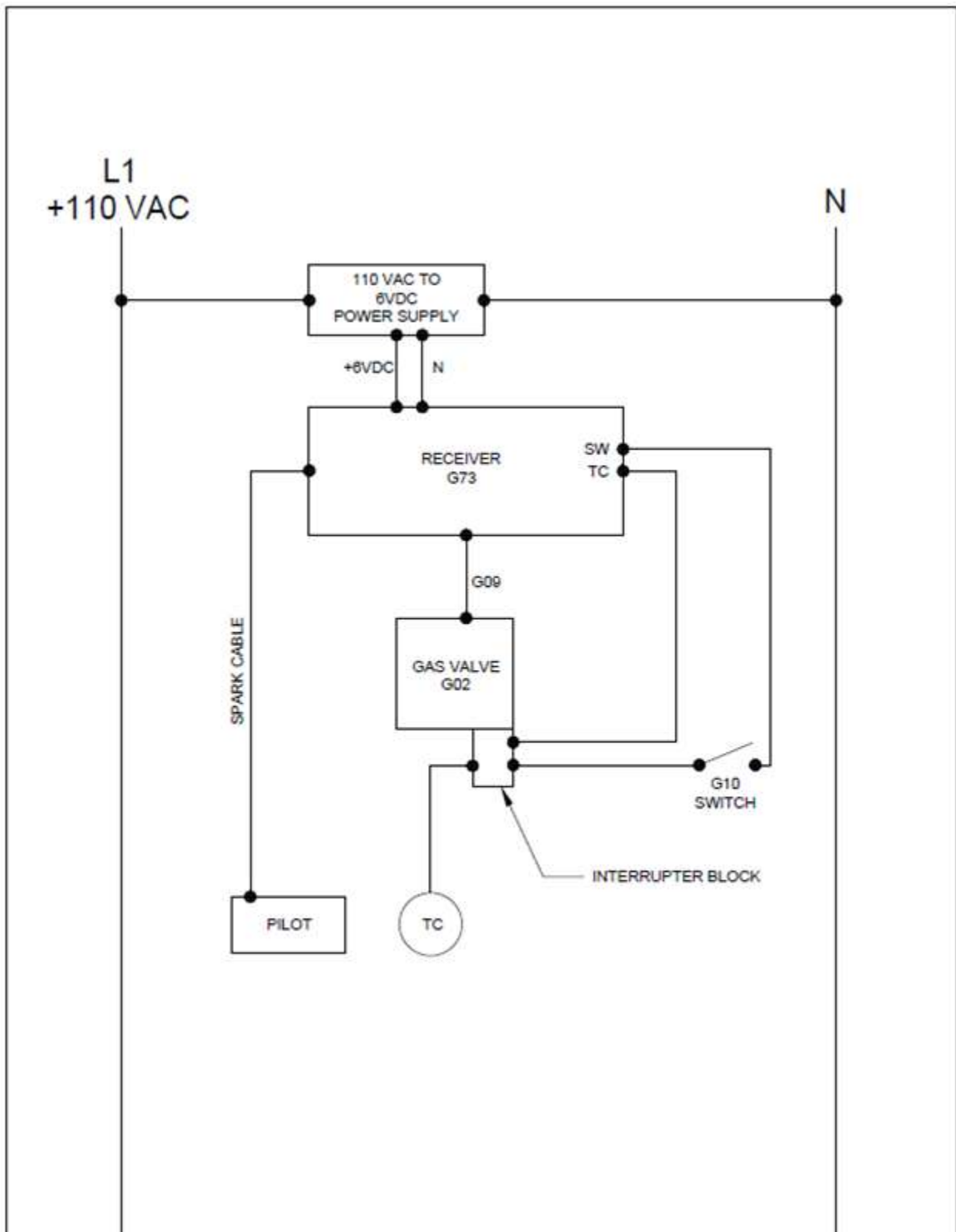


WARNING – Be sure to disconnect the power supply before servicing any electrical components.

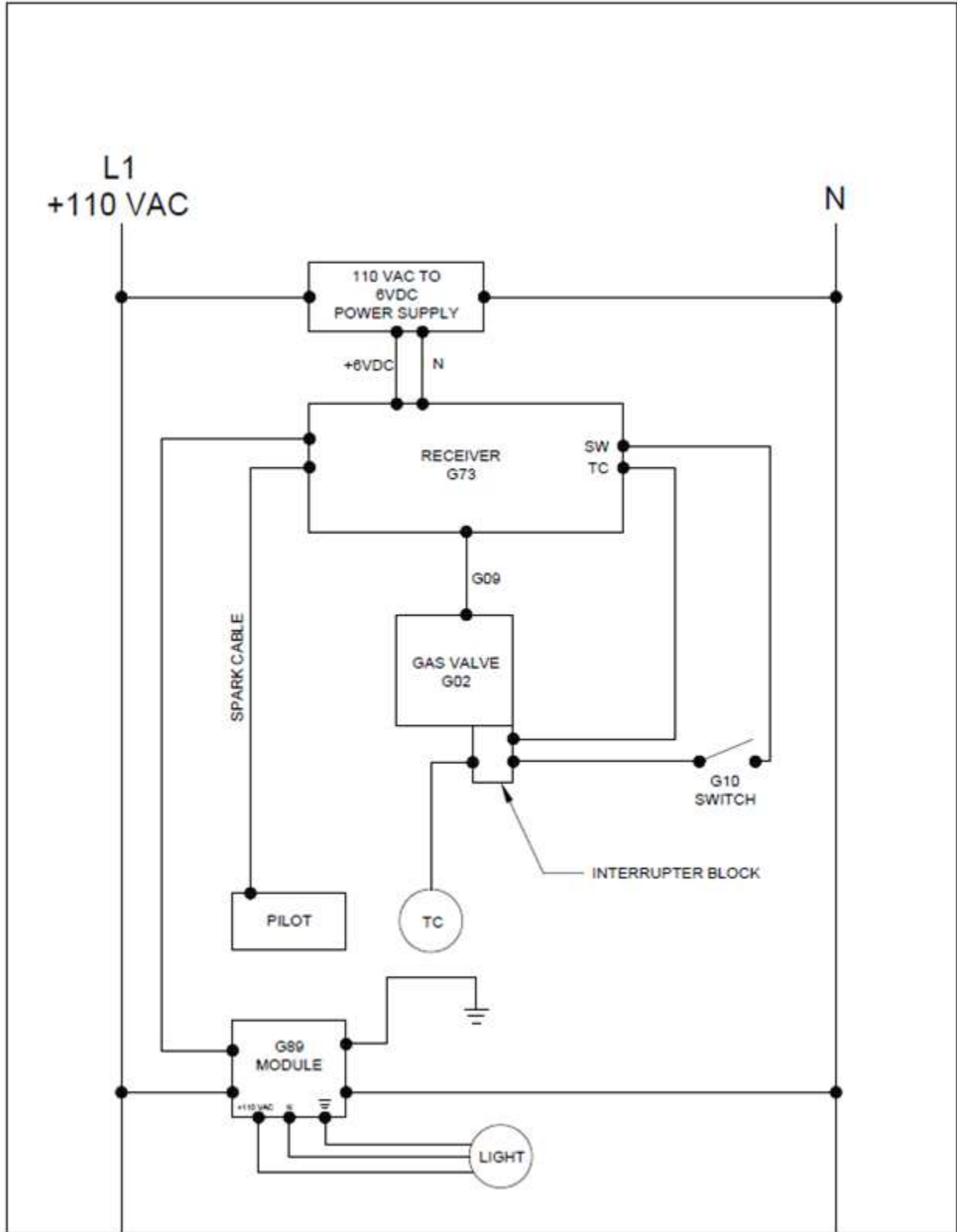
Wiring Diagrams

The following diagrams show the electrical wiring required for different combinations of fireplace options.

Lyric Fireplace

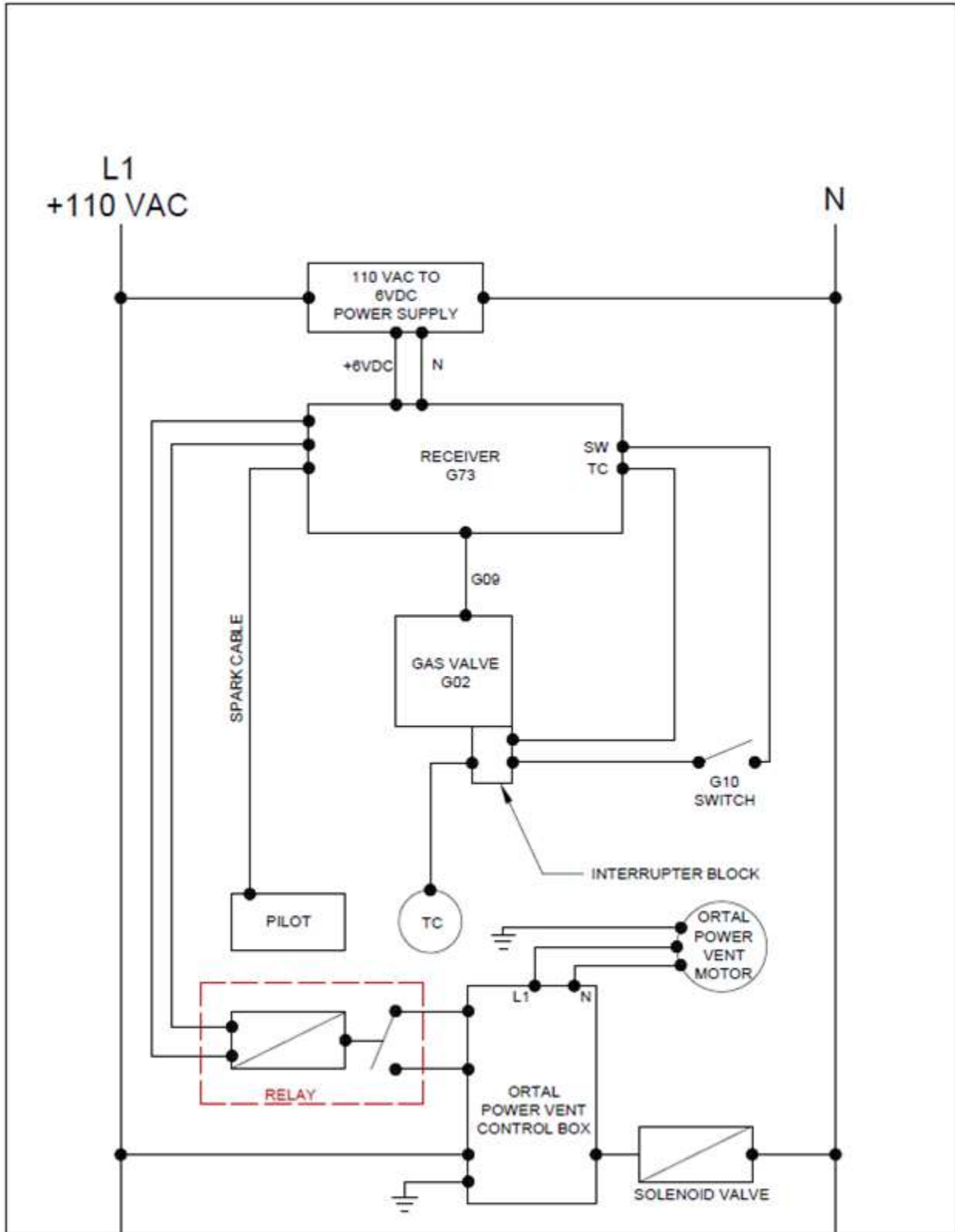


Lyric Fireplace with Lights

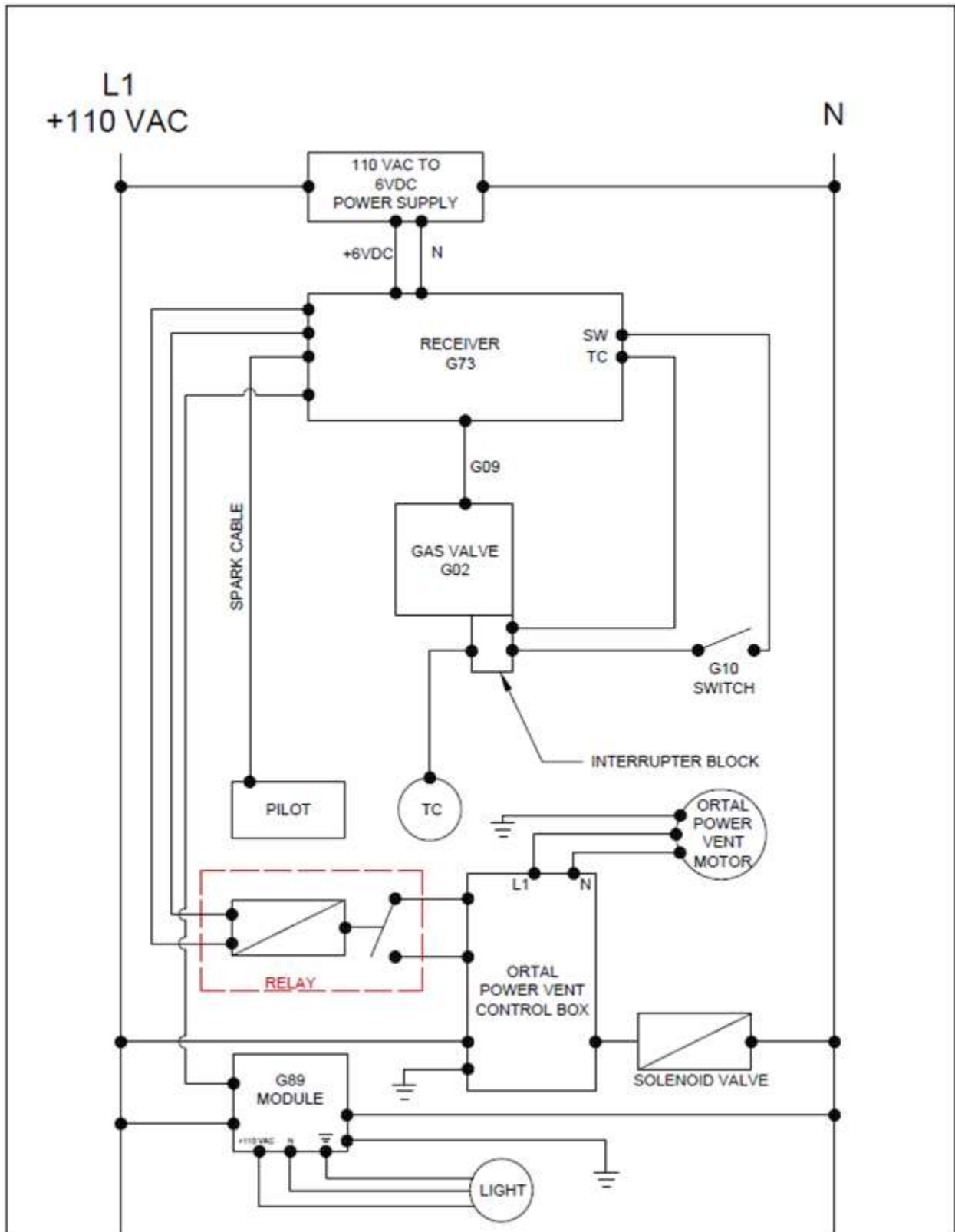


NOTE: The fan outlet on the light control module is not used.

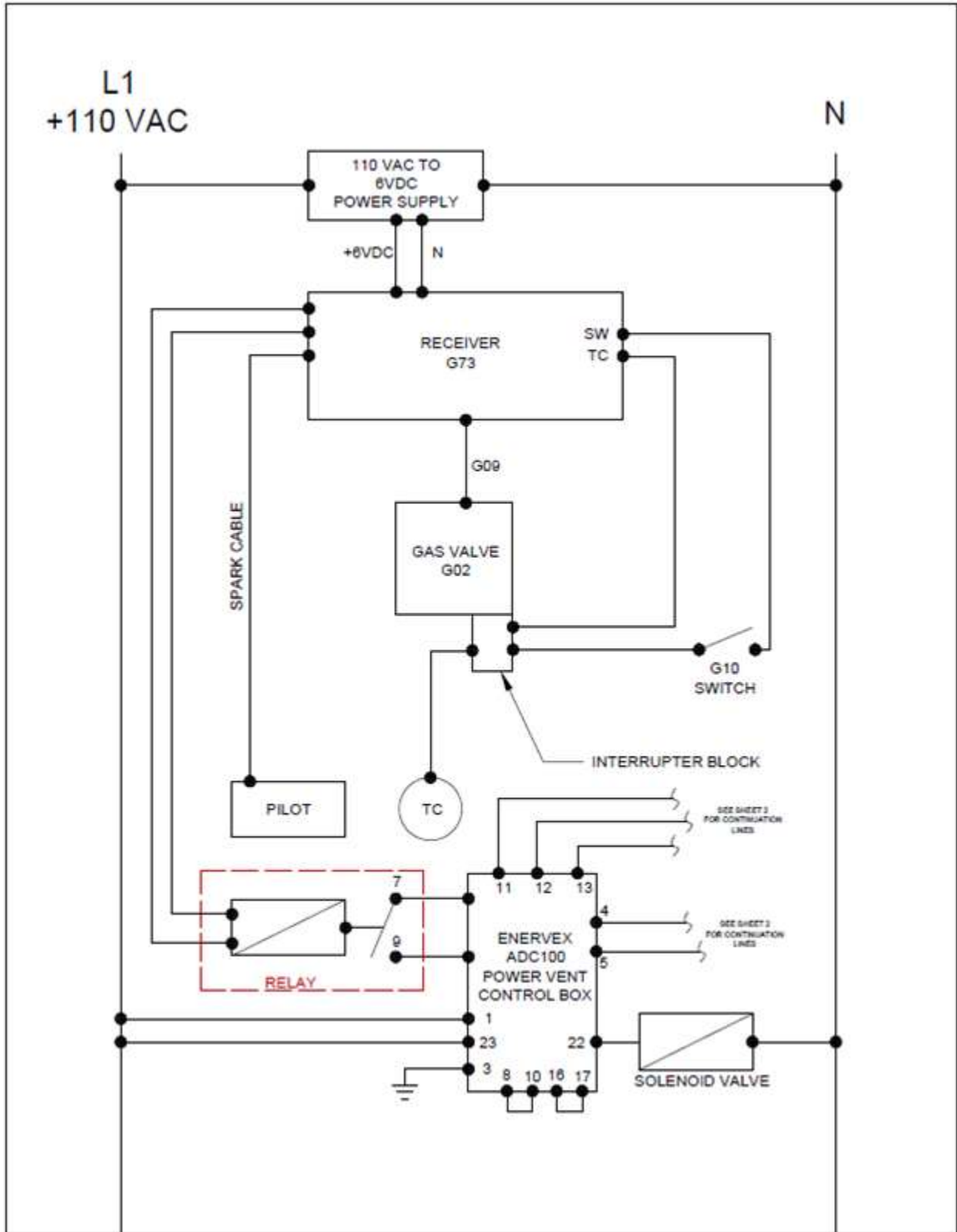
Lyric Fireplace with ORTAL Power Vent



Lyric Fireplace with ORTAL Power Vent and Lights



Lyric Fireplace Energex Power Vent

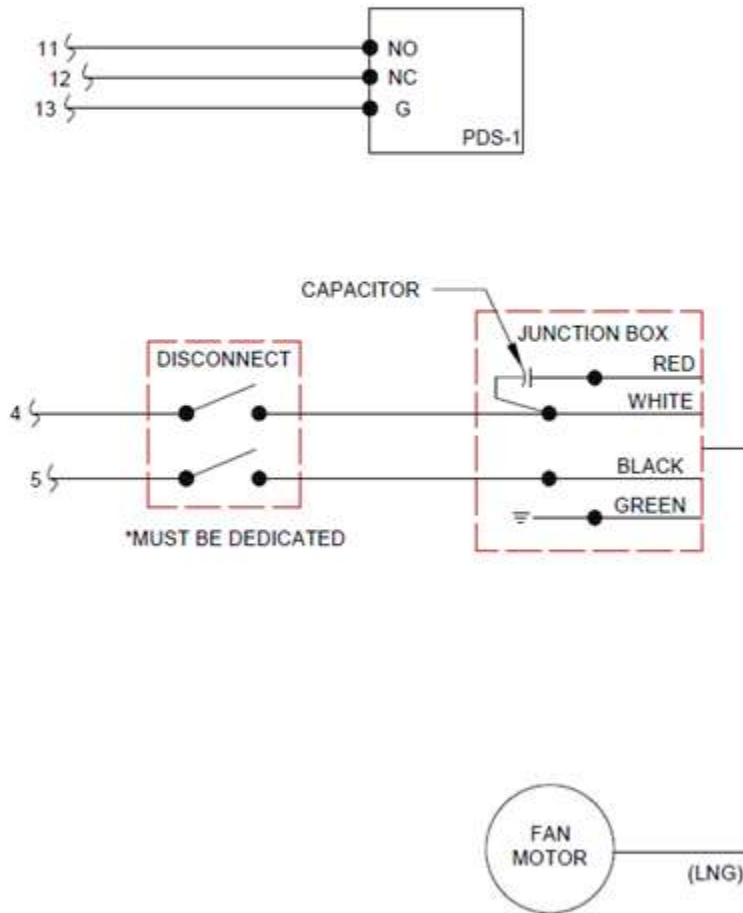


NOTE: Diagram continues on next page.

CONTINUED FROM PREVIOUS PAGE

L1
+110 VAC

N



Smart Home System Wiring Information

The following wiring diagram is for incorporating fireplace control into a Smart Home System, taken from the Mertik Maxitrol operation guide:

MERTIK MAXITROL®

gV60 Remote electronic ignition and Control system external source operation



Contact Options/Operation

FOR OEM USE ONLY

⚠ WARNING

Fire or explosion hazard. Attempted disassembly or re-pair of controls can cause property damage, severe injury or death. Do not disassemble the gas valve; it contains no serviceable components.

Read these instructions carefully and completely before installing or operating. Failure to follow them could result in a fire or explosion causing property damage, personal injury, or loss of life. Service and installation must be performed by a trained/ experienced service technician. The Mertik Maxitrol product should not be operated until it has been inspected and approved by the local code authority.

What to do if you smell gas:

- Do not operate any appliance.
- Do not touch any electrical switch; do not use any phone in your building.
- Immediately evacuate the area and contact the gas supplier. Follow the gas supplier's instructions.
- If you cannot reach the gas supplier, call the fire department.

Do NOT use this product if you suspect it has been subjected to high temperatures, damaged, tampered with, or taken apart.

Do NOT use a product if you suspect it has been under water or that liquid has seeped into the product. Any of these incidents can cause leakage or other damage that may affect proper operation and cause potentially dangerous combustion problems.

Do not store or use gasoline or other flammable vapors and liquids near this control or other appliances.

Use only your hand to push in or turn the gas control knobs. Never use tools. If a knob will not push in or turn by hand, do NOT try to repair it. Call a qualified service technician. Force or attempted repair can result in a fire or explosion.

Description

The GV60 will operate through an external source, such as a home automation system, by using the 5-wire pin connector on the receiver. A 1000 mm cable with Alex 2510-Z connector (part number G80-ZCE/1000) is available. The overall length of the cable should not exceed 8 m. Signal relays (gold contacts) or opto-couplers are recommended.

⚠ WARNING

It is the appliance manufacturer's responsibility to fully disclose any operation from a remote source that will create an unsafe operating condition. For Europe see GADAC guidance sheet B12.

Contacts Options/Operation

- **Ignition:** Close contact 1 and 3 simultaneously for 1 second.
- Fireplace automatically goes to high after ignition sequence.
- **UP FLAME:** Close contact 1. The contact needs to be closed for 12 seconds to turn the motor from end-stop to end-stop.
- **DOWN FLAME:** Close contact 3. The contact needs to be closed for 12 seconds to turn the motor from end-stop to end-stop.
- **Off:** Close contacts 1, 2, and 3 simultaneously for 1 second.

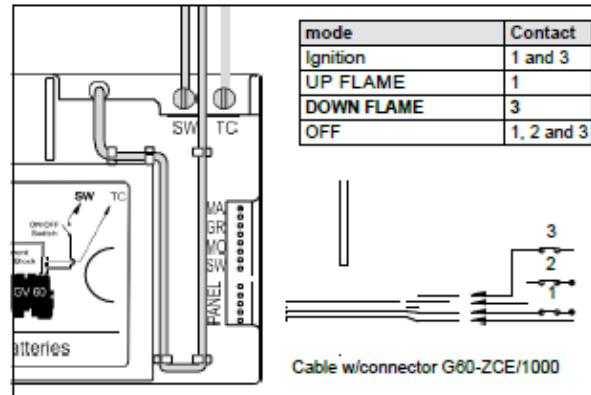


Figure 1: Wiring diagram and the operation sequence

Possible modes of Operation

Mode 1

The external source provides ON and OFF operation only. The Timer/Thermostat handset provides all other functions.

NOTICE

The Timer/Thermostat handset in Thermostatic Mode controls the room temperature even if the fire is turned on by the external source. If the handset is in Manual Mode, the fire will go to High Fire in the next cycle of external operation.

Mode 2

The external source controls the room temperature. The Timer/Thermostat handset must be set to Manual Mode (or use a standard handset). If the Timer/Thermostat handset is set to Thermostatic Mode, it will override the external source.

NOTICE

Frequent ON/OFF cycles will limit the life expectancy of the valve and will increase the battery consumption. The AC Mains Adapter may be used instead of batteries.

MERTIK MAXITROL®

Vent System Information

The following sections provide details related to vent pipe requirements and venting run details and diagrams.

General Pipe Requirements & Certified Pipe Manufacturers

Lyric fireplaces operate using a direct vent system and require a co-axial direct vent pipe. The fireplace must be properly connected to an approved vent system. Pipe is not provided with the Lyric fireplace and must be sourced from a direct vent pipe manufacturer that has been certified to be used with Lyric fireplaces.

GENERAL PIPE REQUIREMENTS & CERTIFIED PIPE MANUFACTURERS			
Series	Vent Type	Required Pipe Size	Approved Pipe Manufacturer
90 90H 110 140	Direct Vent	5x8 co-axial direct vent pipe (5-inch interior, 8-inch exterior)	-Olympia: Ventis -DuraVent: Direct Vent Pro -ICC: EXCELDirect
	Energex Power Vent*	5x8 co-axial direct vent pipe (5-inch interior, 8-inch exterior)	-BDM: Pro-Form Direct Vent System -Selkirk: Direct-Temp System
	Ortal Power Vent*	3x5 co-axial direct vent pipe (3-inch interior, 5-inch exterior)	-DuraVent: CVS line.

*Power Vent: a fan-assisted direct vent system that boosts air flow for vent runs with too much constriction.

Proper installation, use and maintenance of pipe is determined by and can be acquired from the vent pipe manufacturer.



NOTE: See the ORTAL Power Vent Manual for more details on power venting with the ORTAL Power Vent.



WARNING – Do **NOT** combine vent components from different pipe manufacturers. Please follow the manufacturer's instructions for vent system installation.

Venting Requirements

When installing the venting, follow all instructions of the venting system manufacturer. For vertical and horizontal distances, refer to the charts in the Venting Diagrams section. Maintain all clearances specified in Vent Installation Clearances specified on the following pages. Alternatively, follow the vent system manufacturer's instructions, provided they meet local code.

Venting Installation and Clearances

The first section of venting must be secured to the starter with a minimum of 3 sheet metal screws no longer than ½". **DO NOT use silicone to seal the sections.** If sealing is required by the venting manufacturer or local code, use Mil-Pac sealant.



NOTE: For commercial/high-rise and multi-family installs, outer pipe seams need to be taped with 3" foil tape.

When installing the venting, be sure that the vent pipe is supported by the structural surrounding and not by the fireplace. Secure the vent connection to the fireplace with a minimum of 3 self-tapping screws. Each elbow should be strapped to reduce movement or possible disconnection. Follow the installation instructions of the vent system manufacturer.

Vent Pipe Clearances

The following clearances apply to all pipe used a Lyric fireplace, regardless of which pipe manufacturer is used.

Vertical Clearances:

-Maintain 1" clearance to any material on entire circumference.

Horizontal Clearances:

-Maintain 1" clearance to any material on bottom.

-Maintain 3" clearance to any material on top. This clearance applies to pipe on a 45-degree angle as well.

Series	V Minimum (A)
90-140	3 ft



NOTE: It is not required to maintain $\frac{1}{4}$ " of rise per foot of pipe.

Venting Diagrams

The following sections provide information for calculating venting run distances. Use the diagram and tables below to calculate distances for venting runs.

Offset (bends/elbows) Maximums

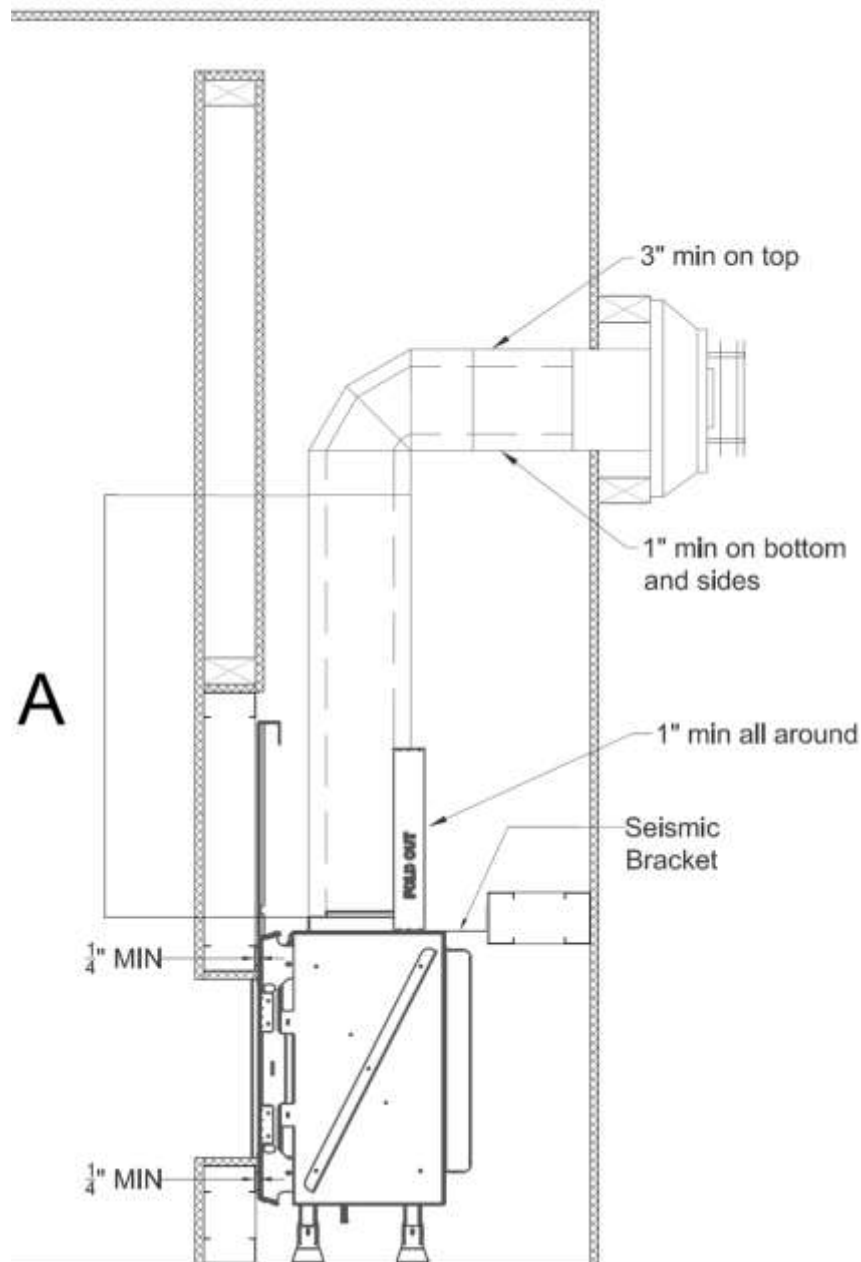
Up to 180° of offset may be used in your venting run. This means either two 90° elbows, four 45° elbows, or any other combination thereof. If your venting run exceeds this maximum, consider an ORTAL Power Vent System, which can allow for up to 540° of offset. See the ORTAL Power Vent Manual for details.

Offset Maximum Exception:

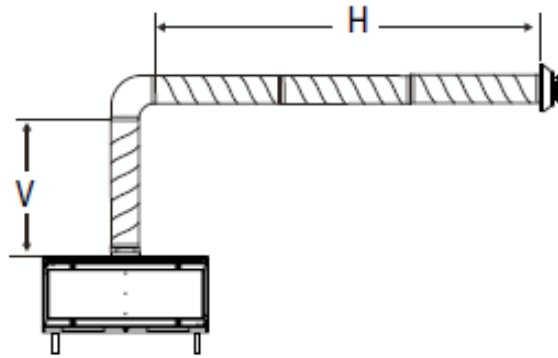
If needed for clearance to TV recess, two 45° offsets may be used directly on the fireplace with up to a 12" section between them. The **V** minimum starts above them. They do not count in elbow totals.



NOTE: If your initial vertical rise off the top of the fireplace does not meet the **V** minimum, consider an ORTAL Power Vent System, which can allow for any initial vertical rise amount. See the ORTAL Power Vent Manual for details.



Horizontal Termination Venting Run Diagram



Use this diagram and tables below to calculate distances for venting runs that terminate horizontally.

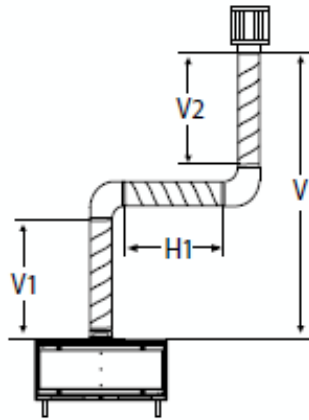
SERIES 90-110	
V min = 3 feet	
Vertical (V)	Max Horizontal (H)
3 ft	12 ft
6 ft	18 ft
9 ft	24 ft
12 ft	21 ft
15 ft	21 ft
18 ft	18 ft
21 ft	15 ft
24 ft	12 ft
27 ft	12 ft
30 ft	12 ft
33 ft	12 ft

SERIES 140	
V min = 3 feet	
Vertical (V)	Max Horizontal (H)
3 ft	9 ft
6 ft	12 ft
9 ft	18 ft
12 ft	21 ft
15 ft	18 ft
18 ft	18 ft
21 ft	15 ft
24 ft	12 ft
27 ft	9 ft
30 ft	9 ft
33 ft	9 ft



NOTE: For venting runs that exceed these maximums, consider an ORTAL Power Vent System. See the ORTAL Power Vent Manual for details.

Vertical Termination Venting Run Diagram



V1= minimum 3 feet for series 90-110, minimum 6 feet for series 200-250. $V = V1 + V2$

Use this diagram and tables below to calculate distances for venting runs that jog and terminate vertically.

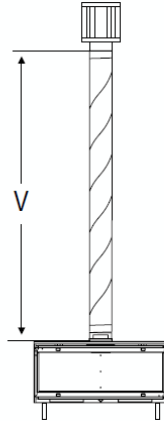
SERIES 90-110	
V min = 3 feet	
Vertical (V)	Max Horizontal (H)
3 ft	6 ft
7 ft	15 ft
10 ft	18 ft
13 ft	15 ft
16 ft	15 ft
19 ft	12 ft
22 ft	9 ft
25 ft	6 ft
28 ft	6 ft
31 ft	6 ft
34 ft	6 ft

SERIES 140	
V min = 3 feet	
Vertical (V)	Max Horizontal (H)
3 ft	6 ft
7 ft	12 ft
10 ft	15 ft
13 ft	12 ft
16 ft	12 ft
19 ft	12 ft
22 ft	12 ft
25 ft	9 ft
28 ft	9 ft
31 ft	6 ft
34 ft	6 ft



NOTE: For venting runs that exceed these maximums, consider an ORTAL Power Vent System. See the ORTAL Power Vent Manual for details.

Vertical Termination Venting Run Diagram – Straight Vertical



SERIES 90-140
V min = 3 feet
Max Vertical (V)
42



NOTE: For venting runs that exceed this maximum, consider an ORTAL Power Vent System. See the ORTAL Power Vent Manual for details.

Vent Restrictor Sizing Guidelines

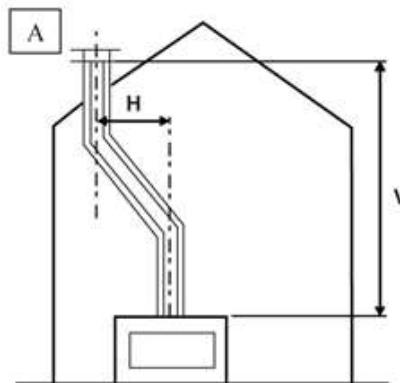
SCENARIO A

When you have vertical elbows of 45°, no additional length for the (H) calculation for the restrictor plate size is needed. For example:

Total height of duct work = 6 feet (V)

Length between the center of the two 45° elbows = (B) = 3 feet

The (H) calculation is (H) = (B) so the restrictor plate size is 1.97", per the table.



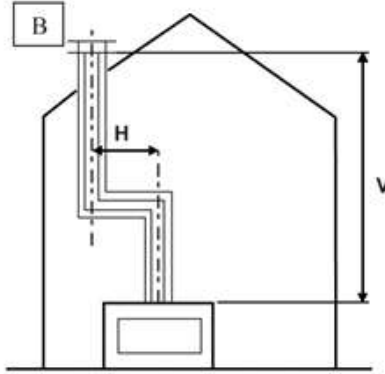
SCENARIO B

If there are two 90° elbows in the vent system, an additional 6 feet must be added to the (H) calculation for the restrictor plate size. For example:

Total height of duct work = 18 feet (V)

Length between the center of two 90° elbows = (B) = 21 feet

The (H) calculation to be used in the restrictor table is $(H) = (B) + 6$ feet, so the (H) length is 27 feet. Per the table, the restrictor plate is 0. No restrictor is required.



SCENARIO C

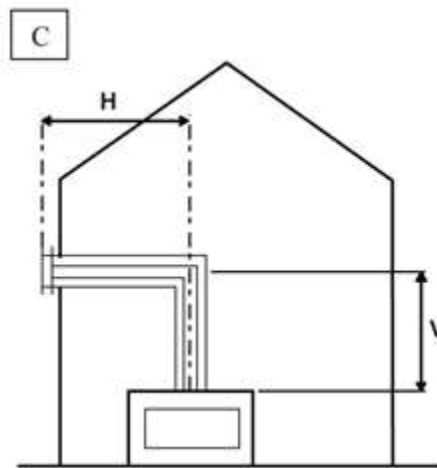
The first 90° elbow is not taken into calculation of the (H) length for the restrictor plate size. For example:

Total height of duct work = 15 feet (V)

Length between the center of the 90° elbow and wall termination cap = (B) = 11 feet

The (H) calculation is $(H) = (B) = 11$. Therefore, the restrictor plate size is 1.18", per the table.

The value of 11 does not appear on the x scale of the table. The choices are then 9 and 12. Always choose the next **higher** value, which is also the smaller restrictor if there is a difference between the values provided.

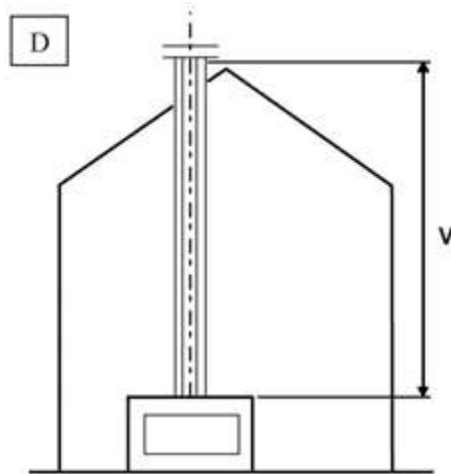


SCENARIO D

There are no 90° elbows or 45° angles. The venting is a straight vertical run. For example:

Total height of duct work = 24 feet (V)

The (H) calculation is = 0. Therefore, the restrictor plate size is 1.97".



Fireplace Restrictors and Vent Arrangement

The information and tables in this section will help you calculate the correct restrictor selection. The tables below show the options permitted for both vertical and horizontal positioning of the pipe and the required restrictor. Any venting pathway that does not appear in the tables requires approval from the manufacturer.

The tables below apply to both Natural Gas and Propane. The tables represent manufacturer's guidelines. Environment gas type (NG vs. LP and the source of the gas) and other factors may affect the best restrictor choice.



NOTE: If the flame appears to be atypical, please contact Lyric by Ortal for alternate restrictor size recommendations.

The following symbols are used in the tables:

X: The path is not allowed.

0: There is no restriction.

Numbers other than zero: The number represents the width recommended for the size of restrictor.



NOTE: Peninsula models may require a special restrictor.

REMINDER

A minimum 3' vertical run is required before any offset.

Restrictor Table: Series 90 (Burner 70)

V												
27'	1.97"	1.57"	1.57"	1.18"	1.18"	0	0	x	x	x	x	x
24'	1.97"	1.57"	1.57"	1.18"	1.18"	0	0	0	x	x	x	x
21'	1.97"	1.97"	1.57"	1.57"	1.18"	1.18"	0	0	0	x	x	x
18'	1.97"	1.97"	1.97"	1.57"	1.57"	1.18"	1.18"	0	0	0	x	x
15'	1.97"	1.97"	1.97"	1.57"	1.57"	1.18"	1.18"	1.18"	0	0	0	x
12'	1.97"	1.97"	1.97"	1.57"	1.57"	1.18"	1.18"	1.18"	0	0	0	x
9'	1.97"	1.97"	1.97"	1.57"	1.57"	1.57"	1.18"	1.18"	0	0	0	x
6'	1.97"	1.97"	1.97"	1.57"	1.57"	1.18"	1.18"	1.18"	0	0	x	x
3'	1.97"	1.97"	1.97"	1.57"	1.18"	0	0	0	0	x	x	x
1.5'	x	x	x	x	x	x	x	x	x	x	x	x
	0'	3'	6'	9'	12'	15'	18'	21'	24'	27'	30'	33'

H

Restrictor Table: Series 110/120 (Burner 100)

V												
27'	1.97"	1.57"	1.57"	1.18"	1.18"	0	0	x	x	x	x	x
24'	1.97"	1.57"	1.57"	1.18"	1.18"	0	0	0	x	x	x	x
21'	1.97"	1.97"	1.57"	1.57"	1.18"	1.18"	0	0	0	x	x	x
18'	1.97"	1.97"	1.97"	1.57"	1.57"	1.18"	1.18"	0	0	0	x	x
15'	1.97"	1.97"	1.97"	1.57"	1.57"	1.18"	1.18"	1.18"	0	0	0	x
12'	1.97"	1.97"	1.97"	1.57"	1.57"	1.18"	1.18"	1.18"	0	0	0	x
9'	1.97"	1.97"	1.97"	1.57"	1.57"	1.57"	1.18"	1.18"	0	0	0	x
6'	1.97"	1.97"	1.97"	1.57"	1.57"	1.18"	1.18"	1.18"	0	0	x	x
3'	1.97"	1.97"	1.97"	1.57"	1.18"	0	0	0	0	x	x	x
1.5'	x	x	x	x	x	x	x	x	x	x	x	x
	0'	3'	6'	9'	12'	15'	18'	21'	24'	27'	30'	33'

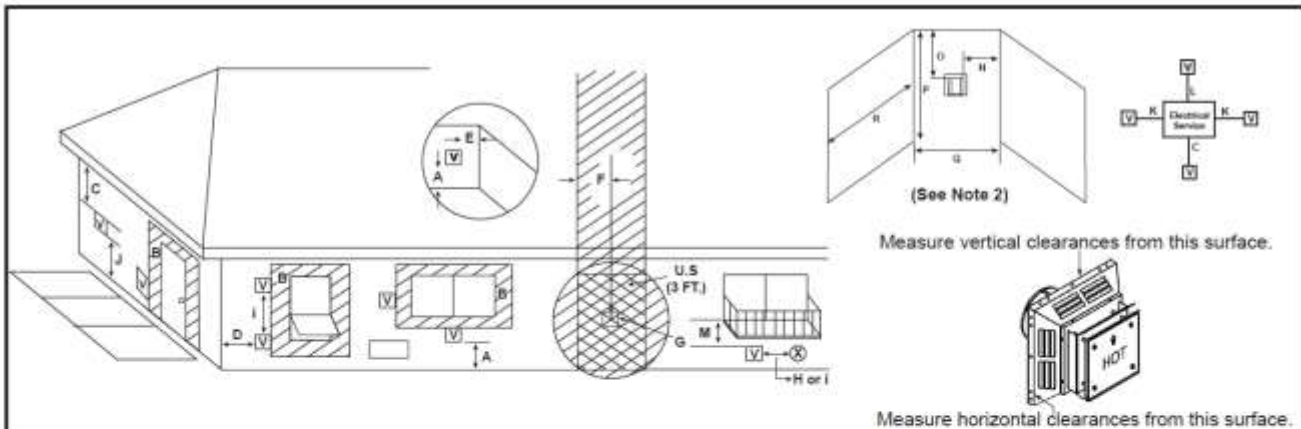
H

Restrictor Table: Series 140 (Burner 120)

V												
27'	1.97"	1.57"	1.57"	1.18"	1.18"	1.18"	0	0	x	x	x	x
24'	1.97"	1.57"	1.57"	1.18"	1.18"	1.18"	0	0	0	X	x	x
21'	1.97"	1.57"	1.57"	1.18"	1.18"	1.18"	1.18"	0	0	0	x	X
18'	1.97"	1.57"	1.57"	1.57"	1.18"	1.18"	1.18"	0	0	0	0	X
15'	2.76"	1.97"	1.57"	1.57"	1.57"	1.18"	1.18"	0	0	0	0	0
12'	2.76"	1.97"	1.57"	1.57"	1.18"	1.18"	1.18"	0	0	0	0	0
9'	2.76"	1.97"	1.57"	1.57"	1.18"	1.18"	1.18"	0	0	0	0	0
6'	2.76"	1.97"	1.97"	1.57"	1.18"	1.18"	1.18"	0	0	0	0	x
3'	1.97"	1.97"	1.97"	1.57"	1.18"	1.18"	1.18"	0	0	x	X	x
1.5'	x	x	x	x	x	x	x	x	x	x	x	x
	0'	3'	6'	9'	12'	15'	18'	21'	24'	27'	30'	33'

H

Horizontal Termination Clearance Diagrams



V = VENT TERMINAL **X** = AIR SUPPLY INLET **▨** = AREA WHERE TERMINAL IS NOT PERMITTED

A = 12 inches (See Note 1)	clearances above grade, veranda, porch, deck or balcony	J** = 7 ft. (See Note 1)	clearance above paved sidewalk or a paved driveway located on public property
B = 12 inches	clearances to window or door that may be opened, or to permanently closed window. (Glass)	K = 6 inches (See Note 5)	clearance from sides of electrical service
C = 24 inches	vertical clearance to ventilated soffit located above the terminal	L = 12 inches (See Note 5)	clearance above electrical service
	18 inches vertical clearance to unventilated soffit located above the terminal (12 inches for Flush Horizontal Power Vent)		
	42 inches for vinyl clad soffits and below electrical service		
D = 9 inches	clearance to outside corner		
E = 6 inches	clearance to inside corner		
F = 3 ft. (Canada)	not to be installed above a gas meter/regulator assembly within 3 feet (90 cm) horizontally from the center-line of the regulator		
G = 3 ft.	clearance to gas service regulator vent outlet		
H = 9 inches (U.S.A.) 12 inches (Canada) (See Note 2)	clearance to non-mechanical air supply inlet to building or the combustion air inlet to any other appliance		
I = 3 ft. (U.S.A.) 6 ft. (Canada) (See Note 2)	clearance to a mechanical (powered) air supply inlet		

Covered Alcove Applications

M*** = 24 inches	clearance under veranda, porch, deck, balcony or overhang
	42 inches vinyl
N = 6 inches	non-vinyl sidewalls
	12 inches vinyl sidewalls
O = 24 inches	non-vinyl soffit and overhang
	42 inches vinyl soffit and overhang
P = 8 ft.	

	Q _{MIN}	R _{MAX}
1 cap	3 feet	2 x Q _{ACTUAL}
2 caps	6 feet	1 x Q _{ACTUAL}
3 caps	9 feet	2/3 x Q _{ACTUAL}
4 caps	12 feet	1/2 x Q _{ACTUAL}
Q _{MIN} = # termination caps x 3 R _{MAX} = (2 / # termination caps) x Q _{ACTUAL}		

** a vent shall not terminate directly above a sidewalk or paved driveway which is located between two single family dwellings and serves both dwellings.

*** only permitted if veranda, porch, deck or balcony is fully open on a minimum of 2 sides beneath the floor, or meets Note 2.

Note 1: On private property where termination is less than 7 feet above a sidewalk, driveway, deck, porch, veranda or balcony, use of a listed cap shield is suggested. (See vents components page)

Note 2: Termination in a covered alcove space (spaces open only on one side and with an overhang) are permitted with the dimensions specified for vinyl or non vinyl siding and soffits. 1. There must be 3 feet minimum between termination caps. 2. All mechanical air intakes within 10 feet of a termination cap must be a minimum of 3 feet below the termination cap. 3. All gravity air intakes within 3 feet of a termination cap must be a minimum of 1 foot below the termination cap.

Note 3: Local codes or regulations may require different clearances.

Note 4: Termination caps may be hot. Consider their proximity to doors or other traffic areas.

Note 5: Location of the vent termination must not interfere with access to the electrical service.

In the U.S and Canada: Vent system termination is NOT permitted in screened porches.

Vent system termination is permitted in porch areas with two or more sides open. You must follow all side walls, overhang and ground clearances as stated in the instructions.

ORTAL assumes no responsibility for the improper performance of the appliance when the venting system does not meet these requirements.

CAUTION: IF EXTERIOR WALLS ARE FINISHED WITH VINYL SIDING, IT IS REQUIRED THAT A VINYL PROTECTOR KIT BE INSTALLED.

Vertical Termination Clearance Diagrams

⚠ WARNING

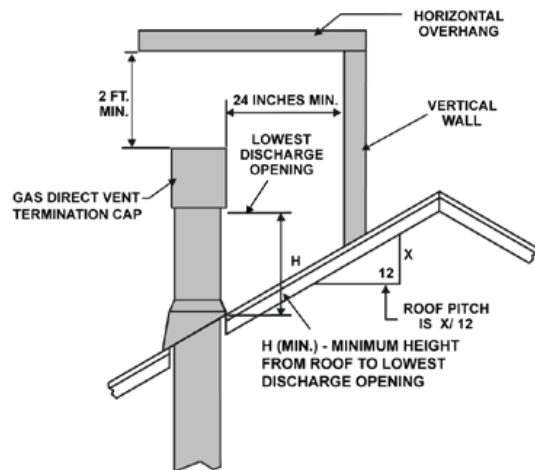


Fire Risk.
 Maintain vent clearance to combustibles as specified.

- **DO NOT** pack air space with insulation or other materials.

Failure to keep insulation or other materials away from vent pipe may cause overheating and fire.

Minimum Height From Roof To Lowest Discharge Opening

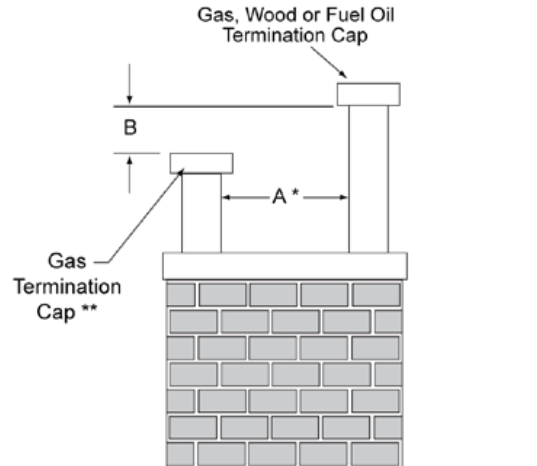


Roof Pitch	H (Min.) Ft.
Flat to 6/12.....	1.0*
Over 6/12 to 7/12.....	1.25*
Over 7/12 to 8/12.....	1.5*
Over 8/12 to 9/12.....	2.0*
Over 9/12 to 10/12.....	2.5*
Over 10/12 to 11/12.....	3.25
Over 11/12 to 12/12.....	4.0
Over 12/12 to 14/12.....	5.0
Over 14/12 to 16/12.....	6.0
Over 16/12 to 18/12.....	7.0
Over 18/12 to 20/12.....	7.5
Over 20/12 to 21/12.....	8.0

* 3 foot minimum in snow regions

Staggered Termination Caps

A	B
6 in. (minimum) up to 24 in.	18 in. minimum
24 in. and over	0 in. minimum



* If using decorative cap cover(s), this distance may need to be increased. Refer to the installation instructions supplied with the decorative cap cover.

** In a staggered installation with both gas and wood or fuel oil terminations, the wood or fuel oil termination cap must be higher than the gas termination cap.

Notes:

1. Maintain a minimum of 2 feet clearance between edge of vertical termination and perpendicular wall.
2. If terminating near window, keep minimum of 2 feet clearance between window and vent termination.
3. All mechanical air intakes within 10 feet of a termination cap must be a minimum of 3 feet below the termination cap.
4. All gravity air intakes within 3 feet of a termination cap must be a minimum of 1 foot below the termination cap.



NOTE: This chart does not apply to a chimney shroud application. See Chimney Shroud Detail on the next page for more information.

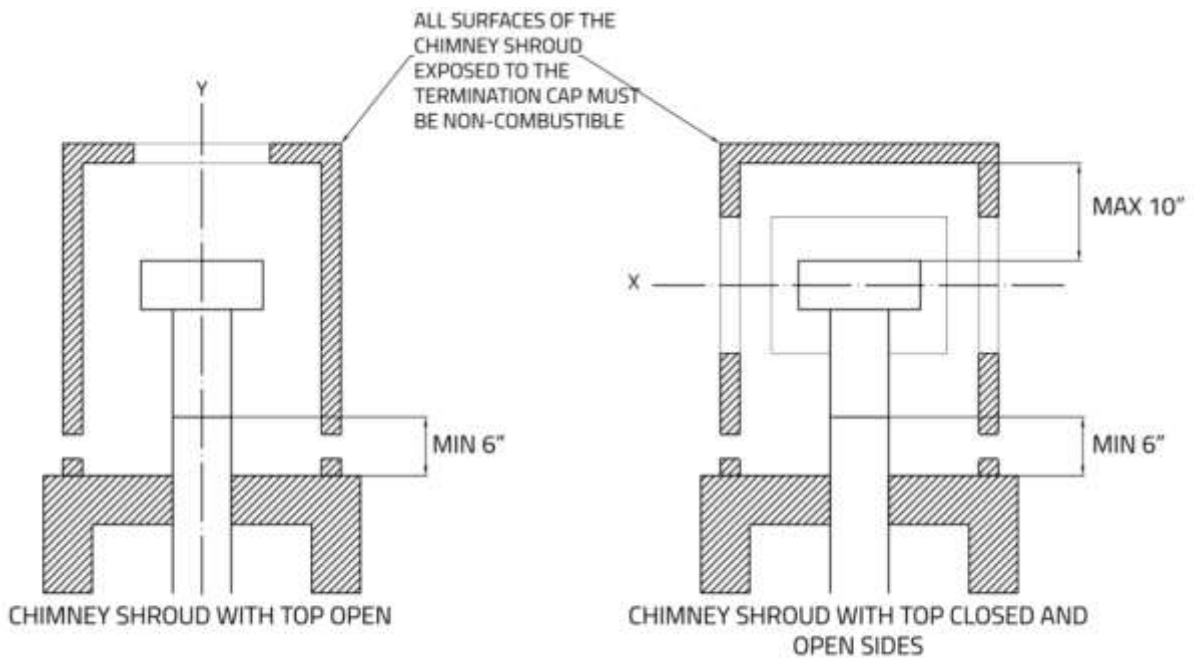
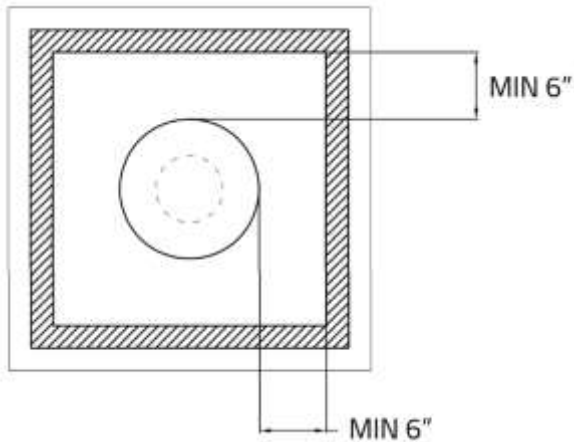
Chimney Shroud Detail

Keep a minimum 6-inch clearance around the vent termination to surrounding. This includes the bottom side of termination as well.

If the top of the shroud is enclosed, keep a maximum of 10 inches clear from the top of the termination to the shroud ceiling.

For openings in the shroud, make sure to allow for enough air flow space to release the exhaust gases and allow the vent to operate properly.

The center of the openings must be aligned to the center of the termination cap as displaced in "X" and "Y".



Vent Maintenance

Regular inspection of the venting system by a qualified service technician is recommended every six months. The following maintenance routing is recommended:

1. Inspect for excessive condensation, e.g., water droplets forming in the inner lining, and subsequently dripping from the joints. This can cause corrosion in the system.
 2. Check for corrosion in areas exposed to the elements. Components with rust spots or holes must be immediately replaced.
 3. Ensure that there is no foreign material in the vents. Survey by removing the cap and shining a light down the vent.
 4. If possible, check all joints and pipes to make sure that nothing has been disturbed or loosened.
-

Fireplace Chase (Cavity) Construction

The process of building the chase can be divided into four main phases:

PHASE 1: BUILD BACK AND SIDE WALLS

- Frame the back and side walls.
 - If using wood framing or plan on putting a TV or artwork above the fireplace, cover the inside of the walls (the side facing towards the cavity) with 5/8" Type X Drywall or equivalent and level 1 finish.
 - If using metal framing and there is no TV or artwork, inside layer of 5/8" Type X Drywall or equivalent is not required.
- Build the platform (if necessary) to the desired height and install inside fireplace cavity. See section titled, "Floor/Platform" for details.

PHASE 2: INSTALL FIREPLACE & VENTING, RUN GAS & ELECTRICAL

- Install the fireplace. This can only be completed by an authorized Lyric dealer (unless otherwise authorized by the manufacturer with written approval). See the section titled, "Fireplace Installation Instructions" for details.
- Install pipe/venting. See the "Fireplace Installation Instructions" section for details.
- Move the gas valve & receiver unit to the designated access panel location. If the fireplace will not have an access panel, keep gas valve & receiver unit directly underneath the fireplace so the components can be accessed through the burner.
- Run gas and electric to the gas valve & receiver unit location
- Always be aware of local codes and regulations when working with gas and electrical equipment.

PHASE 3: BUILD FRONT WALL

- Build front wall (aka infill panel):
 - Build the front wall using metal or wood studs.
 - If using wood studs (or putting TV/artwork over fireplace), line the interior side of wall with 5/8" Type X Drywall (or equivalent) and level 1 finish.
 - Stand up the front wall and move into place.
 - Secure front wall to the rest of the cavity structure.
- Cover the exterior of each wall (sides and front, and back if applicable depending on your design) with 5/8" Type X Drywall (or equivalent) and level 1 finish.

PHASE 4: APPLY FINISHES

- Apply finishes and install accessories. Make sure to follow all clearances as outlined in the section titled, "Clearance & Finish Diagrams".
- Turn the project over to the customer. See "Turning Project Over to End User" section for details.

Cavity (Chase) Construction Notes

Non-combustible Framing

The wall behind a Lyric fireplace (either at the back or side of the fireplace) and the ceiling above the fireplace must be non-combustible construction such as 5/8" Type X Drywall, concrete, brick, concrete masonry units, or plaster on metal framing and lath. Penetrations in the wall or ceiling, such as electrical boxes, must be removed and patched to assure integrity of the non-combustible enclosure.

Combustible Framing

New and existing walls or ceilings built of combustible materials may be used if the exterior wall and internal ceiling are covered with 5/8" Type X Drywall (or equivalent).

An exception to this rule is when the walls of the chase do not extend all the way to the ceiling and allow a "gap" for heat release. In this scenario, 1/2" Type X Drywall (or its equivalent) may be used to match the thickness of Type X Drywall used on the ceiling outside the chase.

Floor

A Lyric fireplace can be set on wood, concrete, metal and other typical solid floor types. Lyric fireplaces come with legs that position the fireplace above the floor or platform on which they are installed. To raise a Lyric fireplace, build a stable platform to which the fireplace can be secured. To lower a fireplace, legs cannot be altered or removed. The fireplace must be recessed into the floor.

Installing the Fireplace and Venting

The installation of the fireplace and venting can only be completed by an authorized Lyric dealer unless otherwise authorized by the manufacturer via documented approval. Lyric fireplaces must be installed in accordance with the Lyric Installation Manual and applicable local and national building codes. Install the direct vent pipe, make gas and power connections, and provide fire stopping or thimble where the direct vent pipe penetrates the wall or ceiling of the chase.

Building the Front Wall

It is recommended to postpone installation of the front wall of the cavity until after the fireplace and pipe have been installed. This will allow easy access for positioning the Lyric fireplace and pipe and making necessary connections.

Install framing in accordance with building codes and project specifications. All studs are placed 16 inches on center, or per local code.

Plan your work carefully, paying attention to:

- Required clearances (see "Clearance & Finish Diagrams" section for details).
- Blocking for securing the fireplace, direct vent pipes, mantles, drywall, etc.
- Access panel for the gas valve and receiver fireplace (see "Access Panel" section for details).
- Heat release (see "Heat Release" section for details).
- Direct vent, direct vent strapping, and penetrations through walls and ceiling.
- Recesses for TV, audio speakers, light fixtures, art work, and other items built into chase (if required).
- Make sure the fireplace is bearing no weight of the finish or framing material (other than 5/8" Type X drywall).

Take a moment for a final visual inspection of the chase interior. Remove any construction debris that may be inside the chase.

Install conduit, wiring, power outlets, and electrical boxes between framing members with 5/8" Type X Drywall (or equivalent) on both sides.

Working with Drywall

Framing must be covered completely with non-combustible material (as specified in the diagrams below) and have the gaps sealed with a non-combustible fire sealant. We recommend using 5/8" Type X drywall (or equivalent) with a level 1 finish (or better), but any building material that is equivalent to 5/8" Type X Drywall in heat insulation (R-value and K-value). 5/8" Type X Drywall (or equivalent) must comply with ASTM C1396 - Specification for Gypsum Board. Level 1 finish must be accordance with GA-214 - Recommended Levels of Gypsum Board Finish.

Do not locate exposed 5/8" Type X Drywall joints directly above the fireplace. Plan to include weight of other finish materials placed on the 5/8" Type X Drywall (or equivalent). If corner beads and other drywall trim are required, use metal products where non-combustible materials are required.

Fireplace-specific construction boards such as [Promafour](#) made by Promat are approved for use for added heat protection. This is *not* a requirement.

Combustible materials may be installed on the fireplace face only if the metal stand-offs on the fireplace are extended and building material is built to (not past) extended metal stand-offs. Surrounding material is not allowed to transfer weight to the fireplace or be connected in any way to the fireplace, with the exception of 5/8 Type X drywall (or its equivalent) in a flush installation. It may be fastened to the frame with 1" self-tapping drywall screws 16" on center, with a minimum of 2 1/2" from the metal lip. It must not transfer weight to the fireplace. No material is permitted to extend past the 1/2" metal lip surrounding the glass viewing area. This area must be unobstructed so the screen heat barrier and inside glass panel remain removable.

Fireplace Installation Instructions

The following sections describe recommended fireplace installation procedures.

Selecting a Location

Keep the following factors in mind when selecting a location for the fireplace:

- Adequate clearances for servicing need to be provided.
- Minimum vent vertical and allowed horizontal lengths and number of bends
- Framing and finishing requirements (surrounding framing and materials to be completed after fireplace installation).
- The fireplace must be installed on a flat, solid, continuous surface (e.g., wood, metal, or concrete). This may be the sub-floor or a raised platform.

Installation Sequence

Use the following guidelines to help ensure a smooth installation. The installation sequence is divided into three phases: planning, installation, and startup.

First Trip to Site: Planning Phase

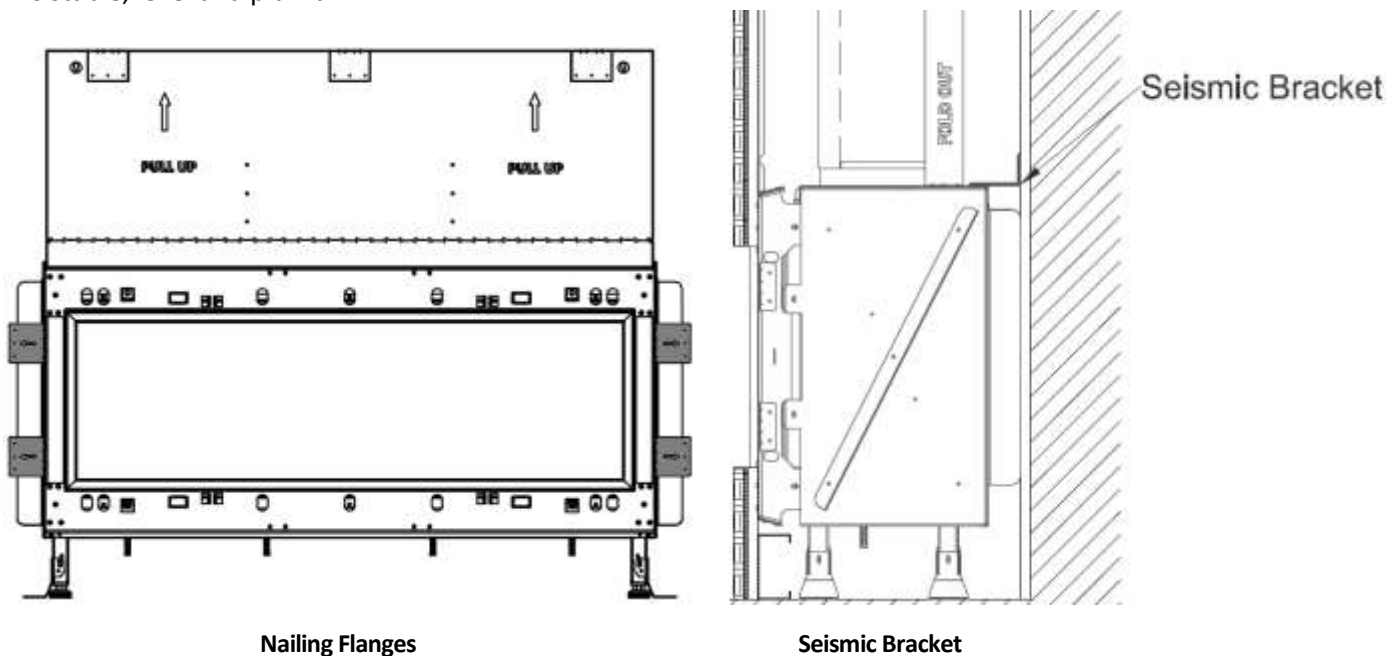
Consult with the contractor and go over all Lyric requirements:

- Chase framing requirements.
- 5/8" Type X (or equivalent) requirements.
- Heat release requirements.
- Access panel size and location.
- Gas and electric specs and location.
- Venting configuration.
- Finishing details.

Second Trip to Site: Installation Phase

- Confirm the framing and platform are built to spec.
- Confirm gas and electric are in the correct location.
- Confirm access panel location and size.
- Confirm heat release location and size.
- Make sure there is a clear path to carry in the fireplace.
- Uncrate the fireplace and set in place.
- Use the shipping bracket for the legs and seismic brackets to level and secure the fireplace (see note below).
- Cut off ALL the zip ties.
- Move the components to the access panel location. Be mindful of the routing for future service needs.
- Install the venting components per the venting manufacturer's instructions and Lyric requirements.
- Go over the front wall/infill panel requirements and finishing details with the contractor.
- Protect the fireplace and components from damage.

SECURING THE FIREPLACE: The fireplace has four total nailing flanges attached to the upper and lower sides of the front of the fireplace body. Two seismic brackets on the top of the fireplace body are also supplied with the fireplace for added security and stabilization. The nailing flanges and seismic brackets are to be attached into a support structure upon installation. It is crucial to the finishing that the fireplace is stable, level and plumb.



Third Trip to Site: Startup Phase

- Perform a visual inspection to confirm that all work was completed per manufacturer specifications.
- Confirm that gas and electric are properly connected and live.
- Remove the screen safety barrier and glass.
- Clean the inside of the fireplace.

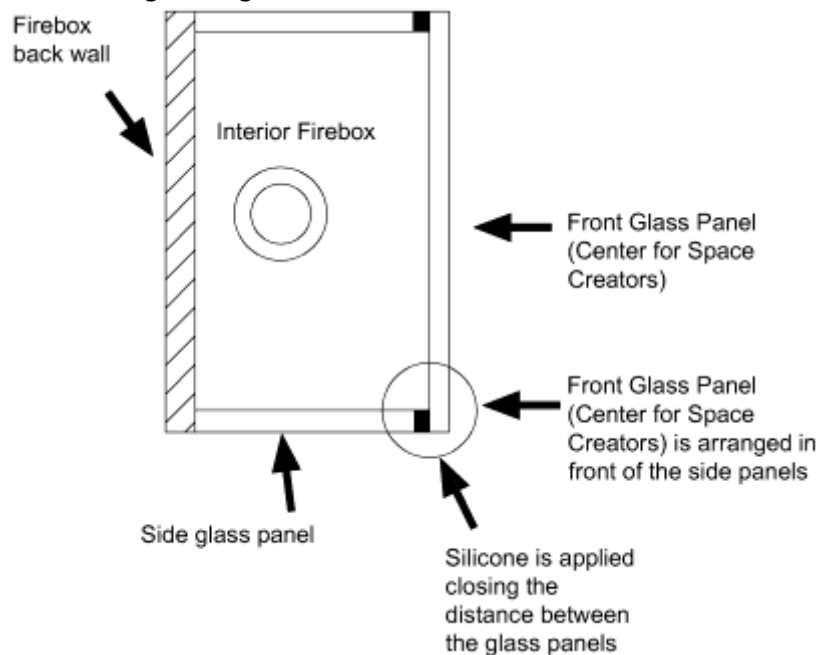
- Confirm operation and remote-control setup.
- Set up the media per manufacturer specifications.
- Remove blue protective film from glass and clean glass.
- Re-install the glass and safety barrier.
- Go over operation of the fireplace and remote with the homeowner.
- Make sure the homeowner has paperwork showing the details of the fireplace (model, serial number, installation date) and the details of the Lyric dealer that performed the installation. This will be important later so the homeowner knows who to contact if the fireplace ever needs to be serviced.
- Set up return visit to clean glass after initial burn-off period.

Working with Glass Panels

5mm ceramic glass front and side panels are provided. Contact the manufacturer for replacement parts if required. 3/16" tempered glass exterior panels can be sourced locally.

Silicone comes pre-applied to any glass-to-glass connections (LS, RS, TS and Peninsula models), on both sides of the glass. Keep the following guidelines in mind when handling silicone and glass panels:

The purpose of the silicone is to create a gasket, not to "glue" the glass panels together. When placing glass panels, ensure that the glass is fully in place and that the silicone is filling the space between the glass panels. Place the front (or center) panel in place first and then slide the side panel into place so that the silicone edge touches the glass edge.













Glass Seal Assembly Diagram

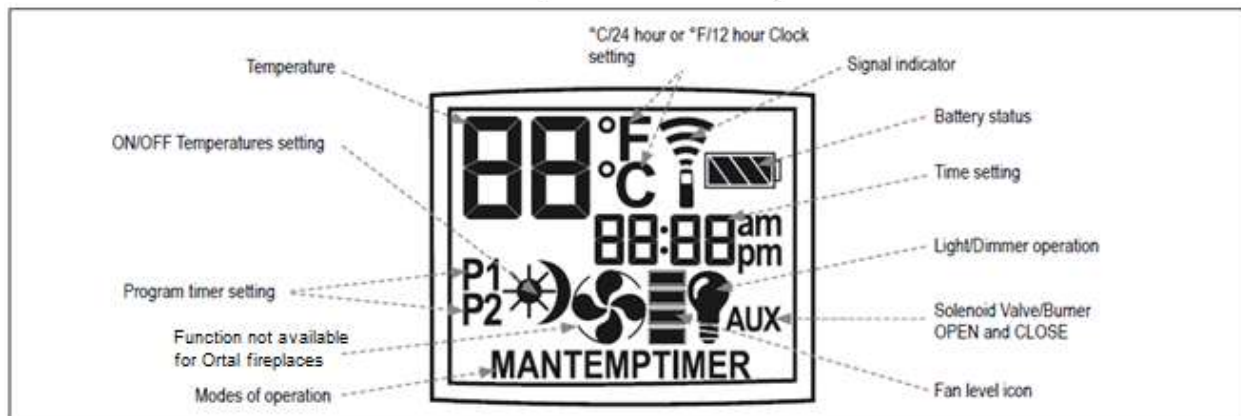
- Re-apply silicone only if the original silicone is damaged (Rutland 500° Clear Silicone is recommended).
- If new silicone is applied, cure time is 24 hours before operation of the fireplace.
- Do not use silicone to seal the glass after it is in place.
- Always use appropriate materials and cleaning agents to clean glass. Ammonia free glass cleaners and/or ceramic glass cleaners are recommended.

Remote Control Setup and Operation

This section provides safety information and instructions for setting up and operating the remote control. The redesigned GV60 handsets G6R-H...FB and G6R-H...FW operate the same as the previous handset G6R-H... Only the symbols on the buttons have changed. See the figure below for the corresponding symbols.

KEY ASSIGNMENTS		
G6R-H...FB(W)		G6R-H...
	=	
	=	
	=	
	=	
	=	

New style Old style



Remote Control Radio Frequency

Radio frequency of the remote control supplied with your fireplace is 315 MHz for U.S. and Canada. This device complies with part 15 of the FCC Rules. Operation is subject to the following conditions:

- This device may not cause harmful interference
- This device must accept any interference received, including interference that may cause undesired operation.
- Changes or modifications not expressly approved by the party responsible for compliance could void the user's authority to operate the equipment.



NOTE: Wiring of valve and receiver must be completed before starting ignition. Failure to do so could damage the electronics.

Pairing Remote to Receiver (Setting the Electronics Code)

To make sure your remote work with your fireplace, follow these guidelines to set the code on the radio frequency handset and pair the remote and receiver. These instructions are taken directly from the electronics manufacturer Mertik Maxitrol:

1. Press and hold the receiver's reset button until you hear two beeps. The first beep is short, and the second beep is long. After the second beep, release the reset button.



2. Within the subsequent 20 seconds, press the small flame button on the handset until you hear two additional short beeps confirming the connection. If you hear one long beep, this indicates the connection has failed or the wiring is incorrect.



NOTE: The connection between remote and receiver only needs to be made once and is not required after changing the batteries in the remote or receiver.

Battery Requirements

Handset:

- 3 x AAA (alkaline recommended)
- A low battery indicator is visible on remotes with display.
- Handsets without display: the red LED gets darker.
- Battery replacement is recommended after 1 year.
- The handset may display options that are not available on all fireplaces.

Receiver:

- Batteries are not required for the receiver as an AC adapter is provided with every fireplace to plug directly into an outlet.
- Fireplaces without additional options can run on battery in case of power outage.
 - 4 x 1.5V AA (alkaline recommended)
 - Low battery indication: Frequent beeps for 3 seconds when motor turns.
- Fireplaces with additional options such as lighting and/or power vent *cannot* operate without an AC Adapter.

Battery replacement is recommended at the beginning of each heating season.



NOTE: Only the AC Adapter manufactured by Mertik Maxitrol is compatible for use with Lyric fireplaces. Use of other adapters may render the system inoperable.

Operating Instructions

Some options on the remote may not be available on all fireplaces. For complete operating instructions, please refer to the Lyric Homeowner's Operation and Maintenance Manual. These operation instructions come directly from the remote manufacturer, Mertik Maxitrol

TO TURN ON FIREPLACE

Remote Control Handset

1. Simultaneously press the power and up arrow buttons until a short beep confirms that the start sequence has begun; release buttons.
2. Continuing beeps confirm the ignition is in process.
3. Once the pilot ignition is confirmed, there is main gas flow.
4. After main burner ignition, the handset will automatically go into manual mode.

Wall Switch

1. Press "ON/OFF" button until a short beep confirms that the start sequence has begun; release button.
2. Continuing beeps confirm the ignition is in process.
3. Once the pilot ignition is confirmed, there is main gas flow.

TO TURN OFF FIREPLACE

Remote Control Handset

1. Press power button.

Wall Switch

1. Press "ON/OFF" button.



Remote **ON**



Remote **OFF**




Wall Switch **ON/OFF**

Interior Design Media

Non-combustible interior media glass is available with Lyric fireplaces. This section provides guidelines for safe placement of media.

WARNINGS – INSTALLING AND HANDLING MEDIA

- **DO NOT** install the interior design media until fireplace installation is complete, the gas line is connected and tested for leaks, and initial burner operation has been inspected and approved.
- Media materials get very hot and will remain hot up to one hour after gas supply is turned off. Handle media only when materials are cool.
- If media is not installed according to the installation instructions, flame impingement and improper combustion may occur and result in soot and/or excessive production of carbon monoxide (CO). Carbon monoxide is a toxic, colorless, and odorless gas.

 **WARNING** – The fireplace is **NOT** designed to burn combustible wood. Any attempt to do so could cause irreparable damage to the fireplace and may result in property damage, personal injury and/or loss of life.

Media Placement Guidelines

When installing glass media, adhere to the following general guidelines:

- Keep the media back from the pilot hood so at least one burner port is open. Otherwise, there will be delayed ignition.



- Do not use the hood to support media. This could cause overheating of the thermocouple.
- Keep the media away from the edges and the glass.
- Do not overfill the media tray. Keep 30% of the tray open to allow for air flow.

Glass Media Placement

- When placing glass media, put only a single layer, and do not pack down. Once the media is placed, go back and move the glass back slightly to open the ports:



NOTE: Glass is the standard media option for Lyric fireplaces. Ortal media options are available upon request. For placement guidelines for Ortal media options, please consult the Ortal Installation Manual for Built-In Models.

Cold Climate Insulation

Seal all cracks around your fireplace with noncombustible material wherever cold air could enter the room. It is especially important to insulate outside chase cavity between fastenings, and under the floor on which the fireplace rests if the floor is above ground level. Gas line holes and other openings should be caulked or stuffed with un-faced fiberglass insulation.

If the fireplace is being installed on a cement slab, a sheet of plywood or other raised platform can be placed underneath to prevent cold transfer to the fireplace and into the room. It also recommended (but not required) to sheetrock inside surfaces and tape and caulk fire stops for maximum air tightness.

Post-installation Procedures

The following sections present post-installation operations.

Initial Burning Period

Following installation of a Lyric fireplace, there is a 12-hour minimum burning period. This 12-hour period must include a minimum of 4 hours of continuous burning. During this time, the customer/installer may notice:

- The glass developing a white or “cloudy” film.
- An unusual smell.

Both the film and the smell are due to the paint on the fireplace metal heating and “burning off”. This is normal. The cloudiness and odor will disappear after the 12-hour period elapses and the installer returns to service the fireplace and complete startup.

Final Inspection Procedure

When the 12-hour burning period is complete, the installer returns and performs the final inspection, which includes:

- Cleaning the glass with a ceramic glass cleaner (to remove white film).
- Checking the interior media.
- Checking for gas leaks.
- Adjusting the restrictor (if necessary).
- Performing an overall check to make sure that everything is working properly.

When these activities are complete, initial startup is concluded and the fireplace may be operated by the owner.

Final Checks and Customer Instruction

Before releasing the fireplace to the customer for use without installer supervision, the installer must ensure that the fireplace is burning correctly. In addition, the installer must:

- Review and explain fireplace operation to customer.
- Review and explain safety warnings to customer.
- Review and explain to the customer that glass is hot during and after operation.
- Review and explain maintenance requirements to the customer.
- Review and explain warranty requirements to the customer.
- Explain that if any questions or concerns arise, to contact the Lyric dealer they purchased the fireplace from for support.

Operating Warnings

Lyric direct vent gas fireplace heaters are sealed combustion, air-circulating gas fireplaces designed for residential applications.

For your safety, please read the following warnings carefully before lighting your fireplace. If you do not follow these instructions exactly, a fire or explosion may result, causing property damage, personal injury or loss of life.

WARNING –DO NOT OPERATE YOUR FIREPLACE IF:

The glass is NOT properly secured in place

- Connection points are not sealed (for fireplaces with glass-to-glass connections)
- Glass is cracked
- You smell gas
- Any part of the fireplace has been under water
- You have any doubt about safe operation of the fireplace
- If any part has been under water, do not use the fireplace. Immediately call a qualified, professional service technician to inspect the fireplace and to replace any parts of the control system and any gas controls which have been under water.

Maintenance Instructions

The following sections provide maintenance information, checklists and logs.

General Maintenance: Tips and Warnings

WARNING –SERVICING

- It is recommended that a qualified service technician perform a routine inspection at the beginning of each heating season.
- Turn off the gas and electricity **BEFORE** servicing the fireplace.

WARNING –BURNER AND VENT INSPECTIONS

- Periodic checks should be made of the burner for correct position and condition. Visually check the flame of the burner, making sure that the flames are steady. For any problem, call a qualified service technician.
- The venting system must be inspected before use. Annual inspection by a qualified field technician must be scheduled to ensure the flow of combustion and ventilation air.



WARNING –SUBMERGED PARTS

- Do not use the fireplace if any part has been under water, or if you suspect that it may have been under water. Immediately call a qualified, professional service technician to inspect the fireplace and to replace any parts of the control system and any gas controls which have been under water.



WARNING –HANDLING OF GLASS

- NEVER operate the fireplace without the glass properly secured in place.
- The glass must be removed ONLY by an authorized qualified installer.
- The technician should ONLY remove the glass with the suction cup supplied by the manufacturer. Lower the glass to rest in a safe place to prevent damage to the glass edges.



WARNING –CLEANING THE FIREPLACE

- ALWAYS turn off the gas valve before cleaning.
- Do NOT clean when hot. Make sure fireplace has had time to cool prior to cleaning any surface or component, interior or exterior.
- Keep the fireplace clean by brushing and/or vacuuming at least once a year by a service technician.
- Only service technicians can open the fireplace to clean interior surfaces.
- Clean the glass when it starts to look cloudy. Use a damp cloth for cleaning the fireplace and the door.
- Verify correct operation after servicing.
- Maintenance Frequency and Equipment Checklist
- Under normal circumstances, the factory recommendation is to have the fireplace serviced at least once a year (annual service). Fireplaces meeting the following conditions should have more frequent service:
 - Fireplaces installed in commercial/public spaces should be serviced every 3 months (quarterly).
 - Fireplaces installed in climates near the ocean or in other settings where corrosion buildup is more likely should be serviced every 6 months (semi-annual service)
- Thermocouple Maintenance
 - The thermocouple should be replaced annually or as needed in all commercial installations, and in any residential fireplace where the fireplace is operated for an average of 10 hours or more per day.
 - For all other installations, the thermocouple should be replaced every three years or as needed.

Warranty Policy

Ortal USA, Inc. Lyric Products
Sold and Distributed in North America

THE WARRANTY

The Ortal Ltd. and Ortal USA, Inc. (the manufacturer of Lyric fireplaces) Limited Warranty warrants your Lyric gas fireplace (“Product”) to be free from defects in materials and workmanship at the time of manufacture. After installation, if covered components manufactured by Ortal are found to be defective in materials or workmanship during the Limited Warranty period and while the Product remains at the site of the original installation, Ortal USA will, at its option, repair or replace the covered components. If repair or replacement is not commercially practical, Ortal USA will, at its option, refund the purchase price or wholesale price of the Ortal product, whichever is applicable. Ortal USA may also pay Customer prevailing labor costs, as determined in its sole discretion, incurred in repairing or replacing such components for up to five years.

COVERAGE COMMENCEMENT DATE

Warranty coverage begins on date shipped but not to exceed one year from date of original purchase.

EXCLUSIONS AND LIMITATIONS

This Limited Warranty applies only if the Product is installed in the United States or Canada and only if installed, operated and maintained in accordance with the printed instructions accompanying the Product and in compliance with all applicable installation and building codes and good trade practices. Printed instructions include product information, diagrams, and operation and maintenance manuals available on Ortal USA’s website, www.ortalheat.com. These can also be requested in digital format direct from Ortal USA’s office.

This warranty is non-transferable and extends to the original owner only. The Product must be purchased through a Dealer that has been approved for sale and installation of the product by the manufacturer. Proof of purchase must be provided. The following components are part of the Limited Warranty and are warranted as follows:

WARRANTY COVERAGE

Components Covered	Warranty Period
Firebox	10 - Year Limited Warranty
Burner	10 - Year Limited Warranty
Gas and Electrical Components	2 - Year Limited Warranty
Interior Decorative Media	2 - Year Limited Warranty (Thermal Damage Only)
Ceramic Glass	2 - Year Limited Warranty (Against Thermal Damage Only)
Paint	1 - Year Limited Warranty
Gaskets	1 - Year Limited Warranty
Trim Pieces	1 - Year Limited Warranty
Remotes	1 - Year Limited Warranty
Labor Coverage	Prevailing ORTAL USA labor rates apply for the warranty period of components. Labor Coverage is for actual repair and / or replacement of components. Troubleshooting is excluded.

Warranty coverage begins at Ship Date but not to exceed one year from date of original purchase. Parts not otherwise listed carry a 90-day warranty from warranty commencement date.

Whenever practicable, Ortal USA will provide replacement parts, if available, for a period of 5 years from the last date of manufacture of the Product.

Ortal USA is not responsible for: (a) damages caused by normal wear and tear, accident, riot, fire, flood, climate and weather corrosion or natural disaster; (b) damages caused by abuse, negligence, misuse, or unauthorized alteration or repair of the Product affecting its stability or performance (The Product must be subjected to normal use. The Product is designed to burn on either natural or propane gas only as determined by the customer when originally purchased or modified after installation by an authorized installer only. Burning conventional fuels such as wood, coal or any other solid fuel will cause damage to the Product, will produce excessive temperatures and could result in a fire hazard.); (c) damages caused by failing to provide proper maintenance and service in accordance with the instructions provided with the Product; (d) damages, repairs or inefficiency resulting from faulty installation or application of the Product.

Ortal USA is not responsible for inadequate fireplace system draft caused by air conditioning and heating systems, mechanical ventilation systems, or general construction conditions which may generate negative pressure in the room in which the appliance is installed. Additionally, Ortal USA assumes no responsibility for drafting conditions caused by venting configurations, adjoining trees or buildings, adverse wind conditions or unusual environmental factors and conditions that affect the operation of the unit.

This Limited Warranty covers only parts and labor as provided herein. In no case shall Ortal USA be responsible for materials, components or construction, which are not manufactured or supplied by Ortal USA or for the labor necessary to install, repair or remove such materials, components or construction. Additional utility bills incurred due to any malfunction or defect in equipment are not covered by this warranty. All replacement or repair components will be shipped F.O.B. from the nearest stocking Ortal USA warehouse.

LIMITATION ON LIABILITY

It is expressly agreed and understood that Ortal USA's sole obligation and the purchaser's exclusive remedy under this warranty, under any other warranty, expressed or implied, or in contract, tort or otherwise, shall be limited to replacement, repair, or refund, as specified herein.

In no event shall Ortal USA be liable for any incidental or consequential damages caused by defects in the Product, whether such damage occurs or is discovered before or after repair or replacement, and whether such damage is caused by Ortal USA's negligence. Ortal USA has not made and does not make any representation or warranty of fitness for a particular use or purpose, and there is no implied condition of fitness for a particular use or purpose.

Ortal USA makes no expressed warranties except as stated in the Limited Warranty. The duration of any implied warranty is limited to the duration of this expressed warranty.

No one is authorized to change this Limited Warranty or to create for Ortal USA any other obligation or liability in connection with the Product. Some states and provinces do not allow the exclusion or limitation of incidental or consequential damages, so the above limitations or exclusions may not apply to you. The provisions of the Limited Warranty are in addition to and not a modification of or subtraction from any statutory warranties and other rights and remedies provided by law.

INVESTIGATION OF CLAIMS AGAINST WARRANTY

Ortal USA reserves the right to investigate any and all claims against this Limited Warranty and to decide, in its sole discretion, upon the method of settlement.

To receive the benefits and advantages described in this Limited Warranty, the appliance must be installed and repaired by an authorized Ortal USA installation technician. Refer to your dealer/distributor sales agreement for requirements. Contact Ortal USA at the address provided herein to obtain a listing of approved dealers/distributors and certified/ authorized installer companies. Ortal USA shall in no event be responsible for any warranty work done by an installer that is not approved without first obtaining Ortal USA's prior written consent.

SHIPMENT DAMAGE

- **BEFORE** you sign the delivery receipt, if you are not able to inspect the unit, you must indicate "subject to inspection".
- When there is obvious physical damage to the crating, packaging, pallet, cardboard, etc. you **MUST** indicate this on the delivery slip, even if the damage turns out only to be to the packaging and the contents are completely undisturbed.

This should come in complete and in good condition. If in case you notice any breach or damage on the pallet/packaging please take pictures of its entirety and location where damage (dents/holes/scratch/others) may be, before you open the pallet. Do not discard packaging materials. If there is anything missing or damaged on the fireplace unit, please report to us within 3 business days.

HOW TO REGISTER A CLAIM AGAINST WARRANTY

For any claim under this warranty to be valid, you must contact the Authorized Dealer or Distributor from which you purchased the product. If you cannot locate the dealer/distributor, then you must notify Ortal USA in writing. Submission of a completed warranty claim is the preferred method of warranty claim notification. Ortal USA must be notified of the claimed defect in writing within 90 days of the date of failure. Please have the unit's serial number when filing a claim.

Notices should be directed to Ortal USA:

Ortal USA
Attn: Warranty
8421 Canoga Avenue
Canoga Park, CA 91304

Or visit our website at www.lyricfireplace.com.

**For all service and troubleshooting issues,
please contact your local authorized Lyric
dealer/installer.**

Sample Product Certification Labels

The following figures show sample certification labels for various product series. This label is found on a metal plate that should be located near the access panel area.

DEALERS/INSTALLERS: You **MUST** leave your fireplace’s label with the fireplace. Instruct the owner before handing over the fireplace where this label can be found in their installation.

OWNERS: Make sure your installer leaves your fireplace’s label with the fireplace in an area that is easily accessible for you (preferably in an area you can see when you open your access panel). This information is required for servicing and receiving replacement parts.

Do Not Remove This Label
Ne pas retirer cette étiquette

For use only with vent, glass and interior design media certified and approved for use with the appliance. Not for use with solid fuel. For use with barriers certified for this appliance only.
 Utilisez uniquement avec des conduits, des panneaux vitrés et des accessoires décoratifs intérieurs homologués et approuvés pour une utilisation avec cet appareil. Pas pour l'usage avec le combustible solide. Pour une utilisation avec des barrières certifiées pour cet appareil uniquement.

Approved by / Homologué par : **no. 2358468**

S - Single Orifice Burner/Brûleur d'orifice singulier
 D - Double Orifice Burner/Double brûleur d'Orifice

Check one (check space to the right of the model name) / Cochez un choix (cochez à droite du nom du modèle) :

Clear 110 / RS / LS / TS / Tunnel <input type="checkbox"/>	Island 130 <input type="checkbox"/>
Stand Alone 110 <input type="checkbox"/>	Clear 130 / RS / LS / TS / Tunnel / Top <input type="checkbox"/>
Clear 110 H / Tunnel <input type="checkbox"/>	Space Creator 120 / Mini / Medium <input type="checkbox"/>
Clear 110H / RS / LS / TS <input type="checkbox"/>	Clear 130H / RS / LS / TS <input type="checkbox"/>

Serial No. / N° de série: _____

Manufacturer / Fabricant :
 ORTAL Heating Systems Ltd.
 Ind. Zone B Neve Neeman, Hod Hasharon
 ISRAEL
 Tel: 011 972 9 7402828
 Fax: 011 972 9 7402687

Tested To / Examiné À: ANSI Z21.88/ CSA 2.33-2016
 Electrical rating / Estimation Électrique: 110 volt / 60 Hz / less than 5A
 Altitude rating / Estimation d'altitude: 0-4500 ft. / 0-1370 m.

	S	S	D	D
Fuel Type / Type de combustible:	<input type="checkbox"/> NG	<input type="checkbox"/> PROPANE	<input type="checkbox"/> NG	<input type="checkbox"/> PROPANE
Max Input / Débit max. (BTU/HR):	37,167	28,541	42,185	33,400
Min Input / Débit min. (BTU/HR):	22,798	22,951	26,878	26,837
Orifice Size / Taille de l'orifice:	1,200	260	650+650	180+180
Gas Inlet Pressure (W.C.) inches / Pression d'entrée de gaz (CE) pouces:	7.0	11.0	7.0	11.0
Gas manifold Pressure (W.C.) inches / Pression d'alimentation (CE) pouces:	5.0	10.8	5.6	10.8

Clearances to Combustibles / Espacement par rapport aux matériaux inflammables:
 Sides / Côtés: 2"
 Back / Arrière: 2"
 In front of Glass / Devant le panneau vitré: 40"

Also adhere to clearance diagrams and instructions included in the ORTAL manual.
 Adhérer également aux schémas d'espacement et des instructions figurant dans le manuel ORTAL.



© Ortal 2019
Rev. 2.0 April 2019
SKU: KPMANUALLYRIC

Lyric by Ortal
8421 Canoga Ave Canoga Park, CA 91304
T: (818)238-7000 | F: (818)678-0541
info@lyricfireplace.com | www.lyricfireplace.com